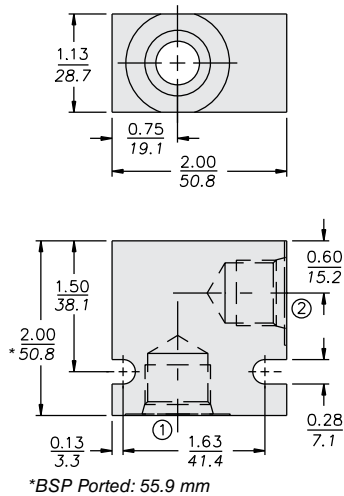


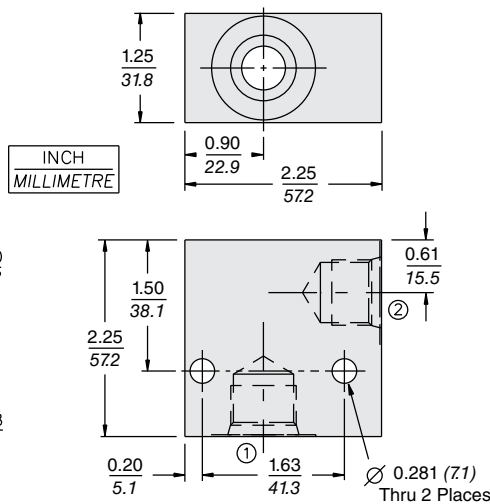
Series 08 Valve Housings

**2-WAY
Aluminum**



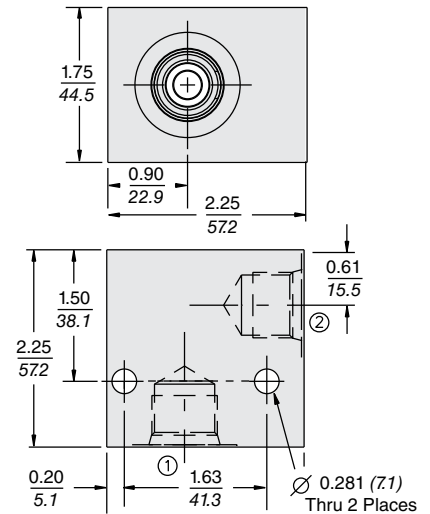
SAE 8 Ported Housing shown

**2-WAY
Ductile Iron**



SAE 8 Ported Housing shown

**2-WAY H-Series
Ductile Iron**



SAE 8 Ported Housing shown

Blue Rectangles are links to CAD .stp files.

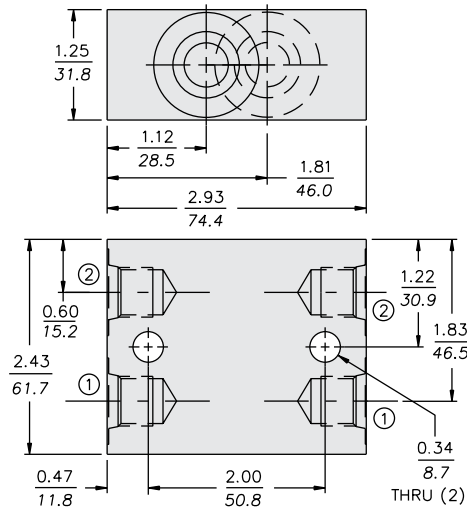
SERIES 08 2-WAY HOUSINGS					
Code	Part No.	Material	Port 1	Port 2	Mfg. Loc.
4T	7024640	Alum.	SAE 4	SAE 4	U.S.
6T	7024660	Alum.	SAE 6	SAE 6	U.S.
8T	7024680	Alum.	SAE 8	SAE 8	U.S.
2B	7028620	Alum.	1/4" BSP	1/4" BSP	U.K.
3B	7028630	Alum.	3/8" BSP	3/8" BSP	U.K.
6TD	7151010	Duct. Iron	SAE 6	SAE 6	U.S.
8TD	7151020	Duct. Iron	SAE 8	SAE 8	U.S.
3BD	7151050	Duct. Iron	3/8" BSP	3/8" BSP	U.K.

SERIES 08 2-WAY H-SERIES HOUSINGS					
Code	Part No.	Material	Port 1	Port 2	Mfg. Loc.
8HT	7160320	Duct. Iron	SAE 8	SAE 8	U.S.

HYDRAFORCE STANDARD VALVE HOUSINGS			
MATERIAL	OPERATING PRESSURE	PORTS	MFG. LOCATION
Aluminum	210 bar (3000 psi)	SAE	U.S.
Aluminum	210 bar (3000 psi)	BSP	U.K.
Ductile Iron	350 bar (5000 psi)	SAE	U.S.
Ductile Iron	350 bar (5000 psi)	BSP	U.K.

Series 08 Valve Housings

2-WAY Cross-Over Aluminum



7070160 CRV Housing

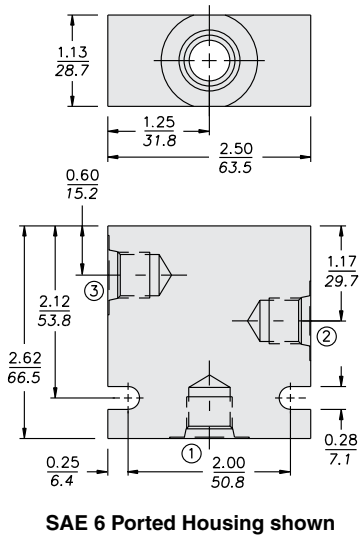
Blue Rectangles are links to CAD .stp files.

SERIES 08 2-WAY CROSS-OVER HOUSINGS					
Code	Part No.	Material	Port 1	Port 2	Mfg. Loc.
6T	7070160	Alum.	SAE 6 (2)	SAE 6 (2)	U.S.

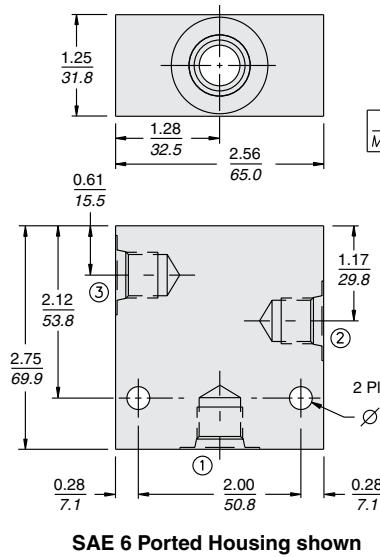
HYDRAFORCE STANDARD VALVE HOUSINGS			
MATERIAL	OPERATING PRESSURE	PORTS	MFG. LOCATION
Aluminum	210 bar (3000 psi)	SAE	U.S.
Aluminum	210 bar (3000 psi)	BSP	U.K.
Ductile Iron	350 bar (5000 psi)	SAE	U.S.
Ductile Iron	350 bar (5000 psi)	BSP	U.K.

Series 08 Valve Housings

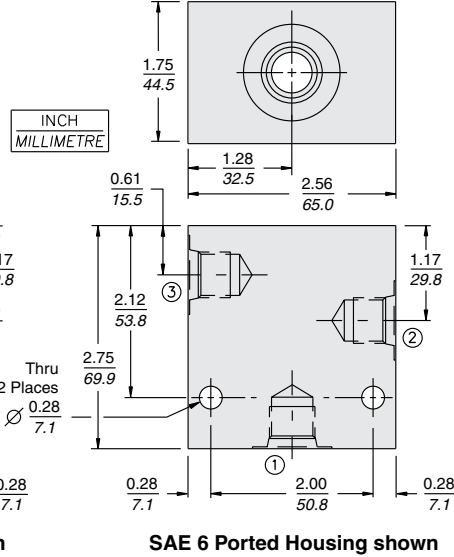
**3-WAY
Aluminum**



**3-WAY
Ductile Iron**



**3-WAY
Ductile Iron, H-Series**



Blue Rectangles are links to CAD .stp files.

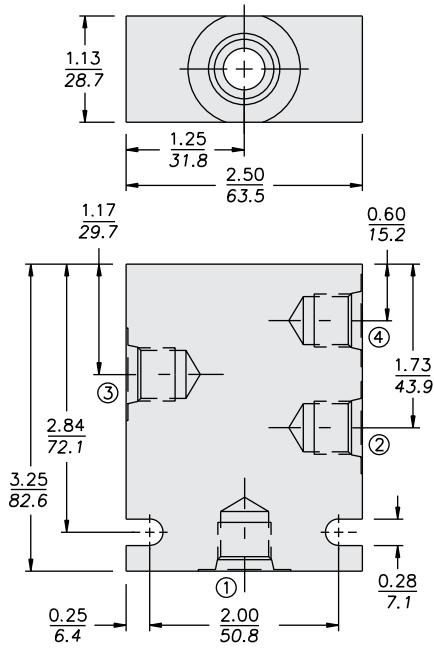
SERIES 08 3-WAY HOUSINGS						
Code	Part No.	Material	Port 1	Port 2	Port 3	Mfg. Loc.
4T	7024740	Alum.	SAE 4	SAE 4	SAE 4	U.S.
6T	7024760	Alum.	SAE 6	SAE 6	SAE 6	U.S.
3B	7028730	Alum.	3/8" BSP	3/8" BSP	3/8" BSP	U.K.
6TD	7151110	Duct. Iron	SAE 6	SAE 6	SAE 6	U.S.
8TD	7151120	Duct. Iron	SAE 8	SAE 8	SAE 8	U.S.
3BD	7151150	Duct. Iron	3/8" BSP	3/8" BSP	3/8" BSP	U.K.

SERIES 08 3-WAY H-SERIES HOUSINGS						
Code	Part No.	Material	Port 1	Port 2	Port 3	Mfg. Loc.
6HT	7160110	Duct. Iron	SAE 6	SAE 6	SAE 6	U.S.
8HT	7160120	Duct. Iron	SAE 8	SAE 8	SAE 8	U.S.
3HB	7160150	Duct. Iron	3/8" BSP	3/8" BSP	3/8" BSP	U.K.

HYDRAFORCE STANDARD VALVE HOUSINGS			
MATERIAL	OPERATING PRESSURE	PORTS	MFG. LOCATION
Aluminum	210 bar (3000 psi)	SAE	U.S.
Aluminum	210 bar (3000 psi)	BSP	U.K.
Ductile Iron	350 bar (5000 psi)	SAE	U.S.
Ductile Iron	350 bar (5000 psi)	BSP	U.K.

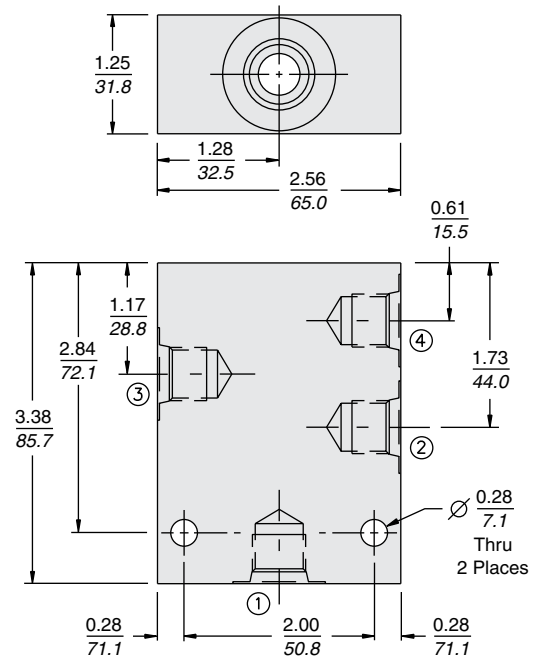
Series 08 Valve Housings

**4-WAY
Aluminum**



SAE 6 Ported Housing shown

**4-WAY
Ductile Iron**



SAE 6 Ported Housing shown

INCH
MILLIMETRE

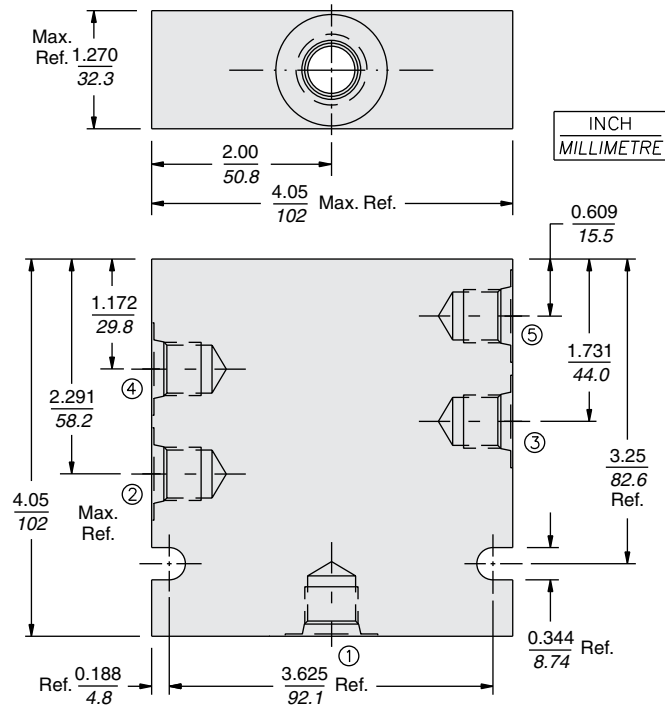
Blue Rectangles are links to CAD .stp files.

SERIES 08 4-WAY HOUSINGS							
Code	Part No.	Material	Port 1	Port 2	Port 3	Port 4	Mfg. Loc.
6T	7024860	Alum.	SAE 6	SAE 6	SAE 6	SAE 6	U.S.
3B	7028830	Alum.	3/8" BSP	3/8" BSP	3/8" BSP	3/8" BSP	U.K.
6TD	7151210	Duct. Iron	SAE 6	SAE 6	SAE 6	SAE 6	U.S.
8TD	7151220	Duct. Iron	SAE 8	SAE 8	SAE 8	SAE 8	U.S.
3BD	7151250	Duct. Iron	3/8" BSP	3/8" BSP	3/8" BSP	3/8" BSP	U.K.

HYDRAFORCE STANDARD VALVE HOUSINGS			
MATERIAL	OPERATING PRESSURE	PORTS	MFG. LOCATION
Aluminum	210 bar (3000 psi)	SAE	U.S.
Aluminum	210 bar (3000 psi)	BSP	U.K.
Ductile Iron	350 bar (5000 psi)	SAE	U.S.
Ductile Iron	350 bar (5000 psi)	BSP	U.K.

Series 08 Valve Housings

5-WAY Aluminum



SAE 6 Ported Housing Shown

Blue Rectangles are links to CAD .stp files.

SERIES 08 5-WAY HOUSINGS								
Code	Part No.	Material	Port 1	Port 2	Port 3	Port 4	Port 5	Mfg. Loc.
6T	7025860	Alum.	SAE 6	SAE 6	SAE 6	SAE 6	SAE 6	U.S.

HYDRAFORCE STANDARD VALVE HOUSINGS			
MATERIAL	OPERATING PRESSURE	PORTS	MFG. LOCATION
Aluminum	210 bar (3000 psi)	SAE	U.S.
Aluminum	210 bar (3000 psi)	BSP	U.K.
Ductile Iron	350 bar (5000 psi)	SAE	U.S.
Ductile Iron	350 bar (5000 psi)	BSP	U.K.