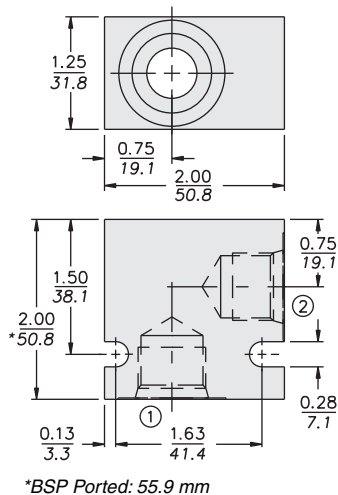


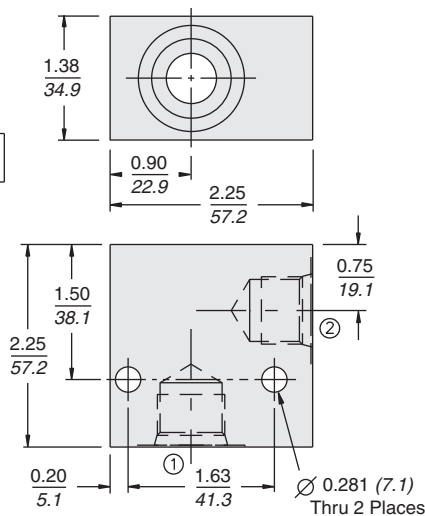
Series 10 Valve Housings

**2-WAY
Aluminum**



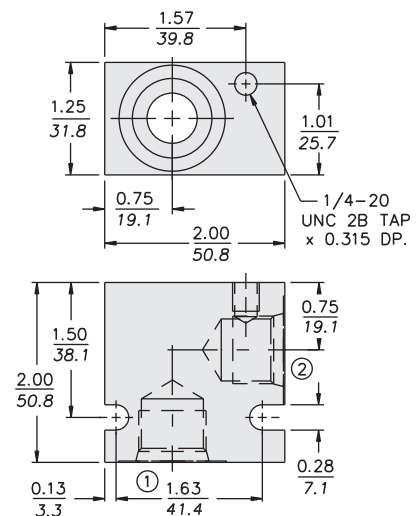
SAE 8 Ported Housing shown

**2-WAY
Ductile Iron**



SAE 8 Ported Housing shown

**2-WAY MR
Aluminum**



**7026180 – MR
For Lock-Down Bracket Use**

SERIES 10 2-WAY HOUSINGS					
Code	Part No.	Material	Port 1	Port 2	Mfg. Loc.
6T	7024260	Alum.	SAE 6	SAE 6	U.S.
8T	7024280	Alum.	SAE 8	SAE 8	U.S.
2B	7028220	Alum.	1/4" BSP	1/4" BSP	U.K.
3B	7028230	Alum.	3/8" BSP	3/8" BSP	U.K.
4B	7028240	Alum.	1/2" BSP	1/2" BSP	U.K.
6TD	7151400	Duct. Iron	SAE 6	SAE 6	U.S.
8TD	7151410	Duct. Iron	SAE 8	SAE 8	U.S.
3BD	7151440	Duct. Iron	3/8" BSP	3/8" BSP	U.K.
4BD	7151450	Duct. Iron	1/2" BSP	1/2" BSP	U.K.

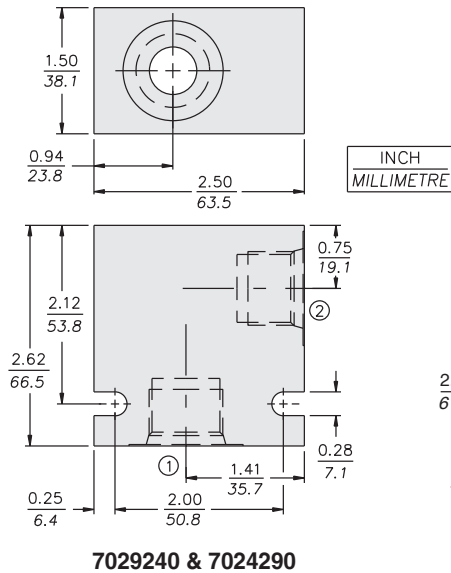
SERIES 10 2-WAY MR HOUSINGS					
Code	Part No.	Material	Port 1	Port 2	Mfg. Loc.
8TL	7026180	Alum.	SAE 8	SAE 8	U.S.*

*Drilled and tapped for lock-down bracket

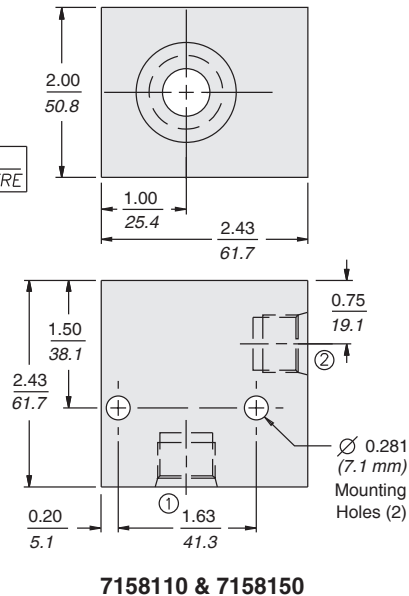
HYDRAFORCE STANDARD VALVE HOUSINGS			
MATERIAL	OPERATING PRESSURE	PORTS	MFG. LOCATION
Aluminum	210 bar (3000 psi)	SAE	U.S.
Aluminum	210 bar (3000 psi)	BSP	U.K.
Ductile Iron	350 bar (5000 psi)	SAE	U.S.
Ductile Iron	350 bar (5000 psi)	BSP	U.K.

Series 10 Valve Housings

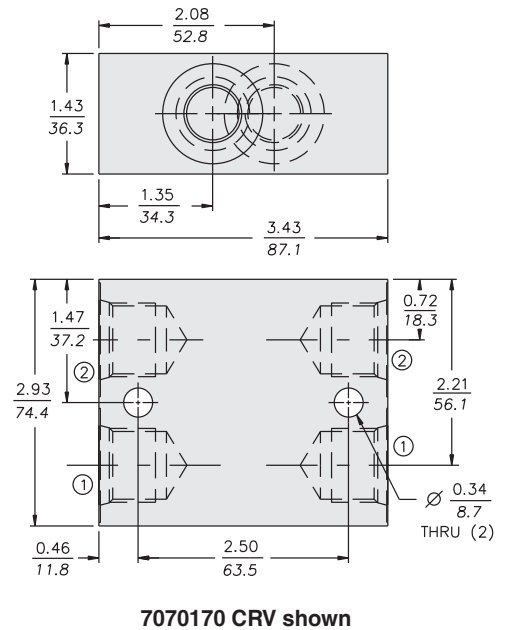
2-WAY with Oversized Ports Aluminum



2-WAY Ductile Iron - H-Series



2-WAY Cross-Over Aluminum



SERIES 10 2-WAY WITH OVERSIZED PORTS

Code	Part No.	Material	Port 1	Port 2	Mfg. Loc.
10T	7029240	Alum.	SAE 10	SAE 10	U.S.
12T	7024290	Alum.	SAE 12	SAE 12	U.S.

SERIES 10 2-WAY H-SERIES HOUSINGS

Code	Part No.	Material	Port 1	Port 2	Mfg. Loc.
8HT	7158110	Duct. Iron	SAE 8	SAE 8	U.S.
4HB	7158150	Duct. Iron	1/2" BSP	1/2" BSP	U.K.

SERIES 10 2-WAY CROSS-OVER HOUSINGS

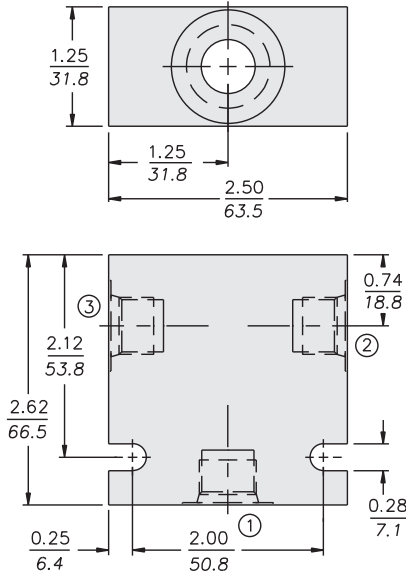
Code	Part No.	Material	Port 1	Port 2	Mfg. Loc.
10T	7070170	Alum.	SAE 10 (2)	SAE 10 (2)	U.S.

HYDRAFORCE STANDARD VALVE HOUSINGS

MATERIAL	OPERATING PRESSURE	PORTS	MFG. LOCATION
Aluminum	210 bar (3000 psi)	SAE	U.S.
Aluminum	210 bar (3000 psi)	BSP	U.K.
Ductile Iron	350 bar (5000 psi)	SAE	U.S.
Ductile Iron	350 bar (5000 psi)	BSP	U.K.

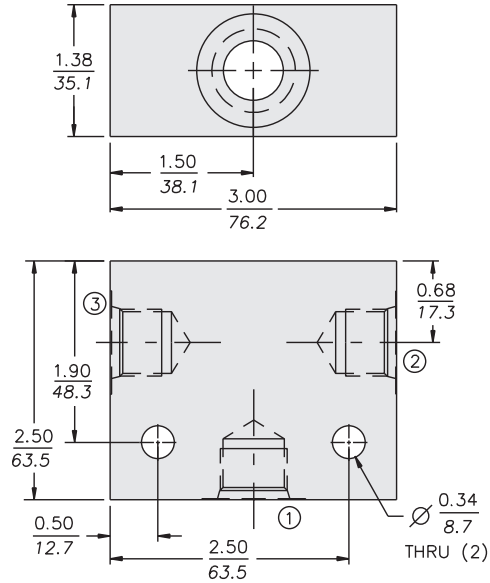
Series 10 Valve Housings

**2-WAY Thru-Ported
Aluminum**



7025660 & 7025680

**2-WAY Thru-Ported with Oversized Ports
Aluminum**



7027080 shown

INCH
MILLIMETRE

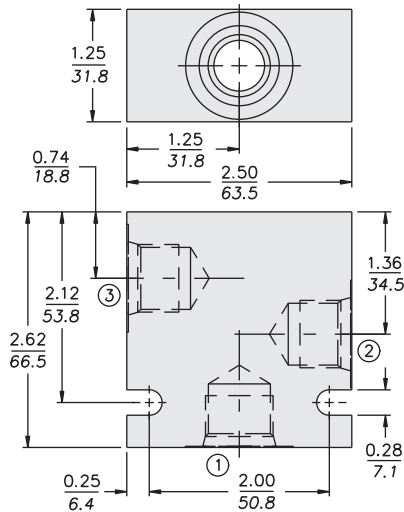
SERIES 10 2-WAY THRU-PORTED HOUSINGS						
Code	Part No.	Material	Port 1	Port 2	Port 3	Mfg. Loc.
6T	7025660	Alum.	SAE 6	SAE 6	SAE 6	U.S.
8T	7025680	Alum.	SAE 8	SAE 8	SAE 8	U.S.

SERIES 10 2-WAY THRU-PORTED WITH OVERSIZED PORTS						
Code	Part No.	Material	Port 1	Port 2	Port 3	Mfg. Loc.
10T	7027080	Alum.	SAE 10	SAE 10	SAE 10	U.S.

HYDRAFORCE STANDARD VALVE HOUSINGS			
MATERIAL	OPERATING PRESSURE	PORTS	MFG. LOCATION
Aluminum	210 bar (3000 psi)	SAE	U.S.
Aluminum	210 bar (3000 psi)	BSP	U.K.
Ductile Iron	350 bar (5000 psi)	SAE	U.S.
Ductile Iron	350 bar (5000 psi)	BSP	U.K.

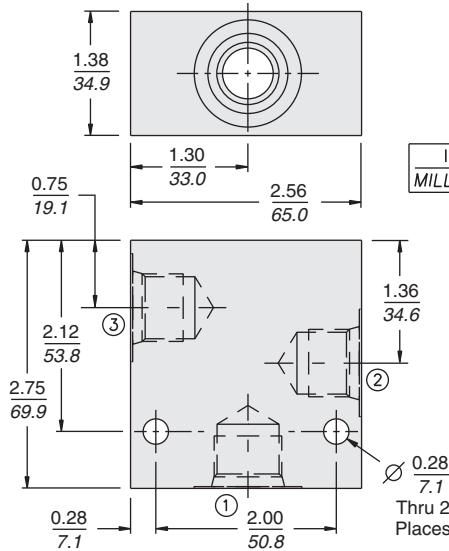
Series 10 Valve Housings

**3-WAY
Aluminum**



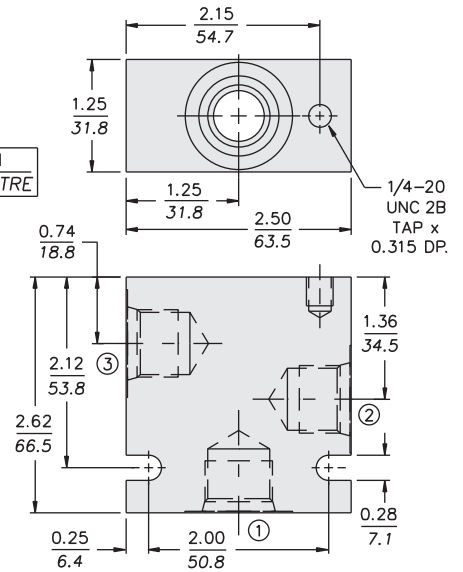
SAE 8 Ported Housing shown

**3-WAY
Ductile Iron**



SAE 8 Ported Housing shown

**3-WAY MR
Aluminum**



7020980 - MR
For Lock-Down Bracket Use

SERIES 10 3-WAY HOUSINGS

Code	Part No.	Material	Port 1	Port 2	Port 3	Mfg. Loc.
6T	7024360	Alum.	SAE 6	SAE 6	SAE 6	U.S.
8T	7024380	Alum.	SAE 8	SAE 8	SAE 8	U.S.
3B	7028330	Alum.	3/8" BSP	3/8" BSP	3/8" BSP	U.K.
6TD	7151500	Duct. Iron	SAE 6	SAE 6	SAE 6	U.S.
8TD	7151510	Duct. Iron	SAE 8	SAE 8	SAE 8	U.S.
3BD	7151540	Duct. Iron	3/8" BSP	3/8" BSP	3/8" BSP	U.K.

SERIES 10 3-WAY MR HOUSINGS

Code	Part No.	Material	Port 1	Port 2	Port 3	Mfg. Loc.
8TL	7020980	Alum.	SAE 8	SAE 8	SAE 8	U.S.

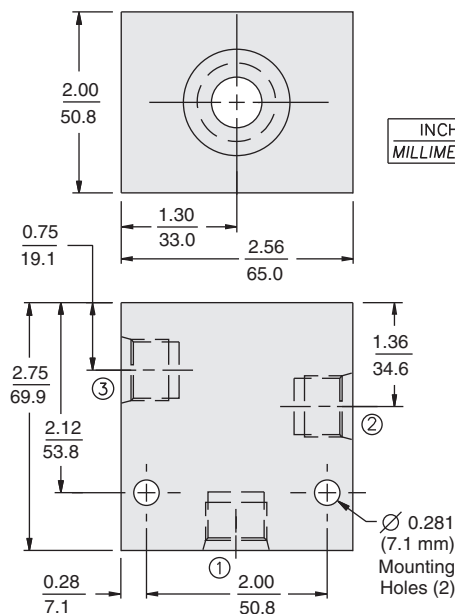
*Drilled and tapped for lock-down bracket

HYDRAFORCE STANDARD VALVE HOUSINGS

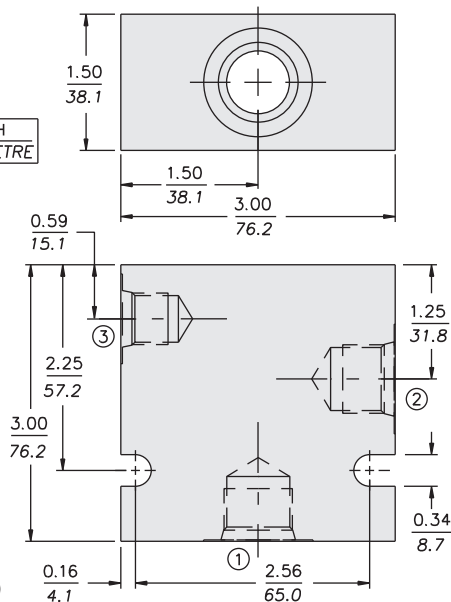
MATERIAL	OPERATING PRESSURE	PORTS	MFG. LOCATION
Aluminum	210 bar (3000 psi)	SAE	U.S.
Aluminum	210 bar (3000 psi)	BSP	U.K.
Ductile Iron	350 bar (5000 psi)	SAE	U.S.
Ductile Iron	350 bar (5000 psi)	BSP	U.K.

Series 10 Valve Housings

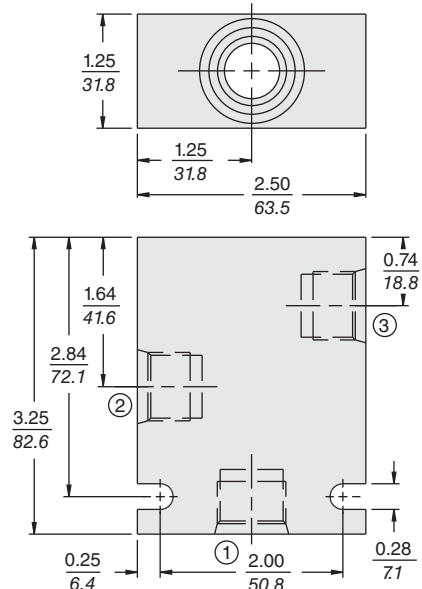
3-WAY
Ductile Iron, H-Series



3-WAY Short
Aluminum or Ductile Iron



3-WAY 10 - L3
Aluminum



SERIES 10 3-WAY H-SERIES HOUSINGS

Code	Part No.	Material	Port 1	Port 2	Port 3	Mfg. Loc.
8HT	7158210	Duct. Iron	SAE 8	SAE 8	SAE 8	U.S.
3HB	7158240	Duct. Iron	3/8" BSP	3/8" BSP	3/8" BSP	U.K.

SERIES 10 3-WAY SHORT HOUSINGS

Code	Part No.	Material	Port 1	Port 2	Port 3	Mfg. Loc.
8T	7026520	Alum.	SAE 8	SAE 8	SAE 6	U.S.
10T	7026530	Alum.	SAE 10	SAE 10	SAE 6	U.S.
8TD	7151610	Duct. Iron	SAE 8	SAE 8	SAE 6	U.S.
10TD	7151620	Duct. Iron	SAE 10	SAE 10	SAE 6	U.S.
3BD	7151650	Duct. Iron	3/8" BSP	3/8" BSP	1/4" BSP	U.K.
4BD	7151660	Duct. Iron	1/2" BSP	1/2" BSP	1/4" BSP	U.K.

SERIES 10 3-WAY 10-L3 HOUSINGS*

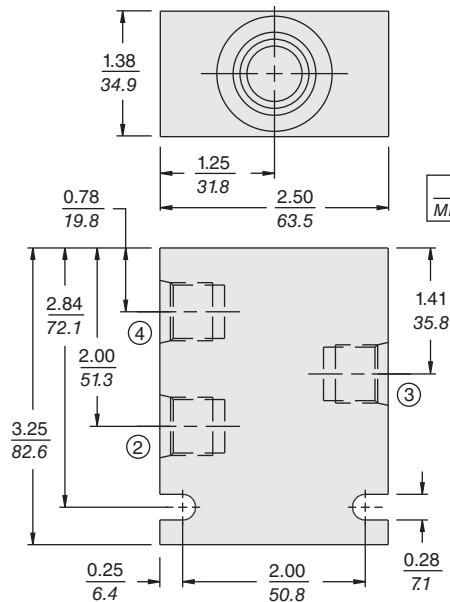
Code	Part No.	Material	Port 1	Port 2	Port 3	Mfg. Loc.
6T	7025460	Alum.	SAE 6	SAE 6	SAE 6	U.S.
8T	7025480	Alum.	SAE 8	SAE 8	SAE 8	U.S.

* Used only for ZL70-33 and ZL70-36

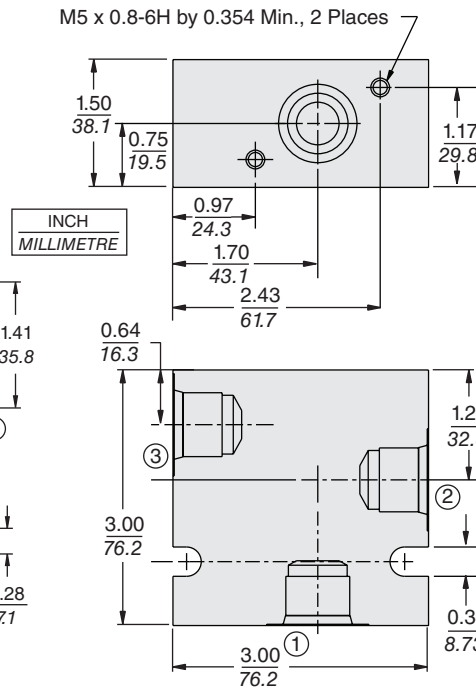
HYDRAFORCE STANDARD VALVE HOUSINGS			
MATERIAL	OPERATING PRESSURE	PORTS	MFG. LOCATION
Aluminum	210 bar (3000 psi)	SAE	U.S.
Aluminum	210 bar (3000 psi)	BSP	U.K.
Ductile Iron	350 bar (5000 psi)	SAE	U.S.
Ductile Iron	350 bar (5000 psi)	BSP	U.K.

Series 10 Valve Housings

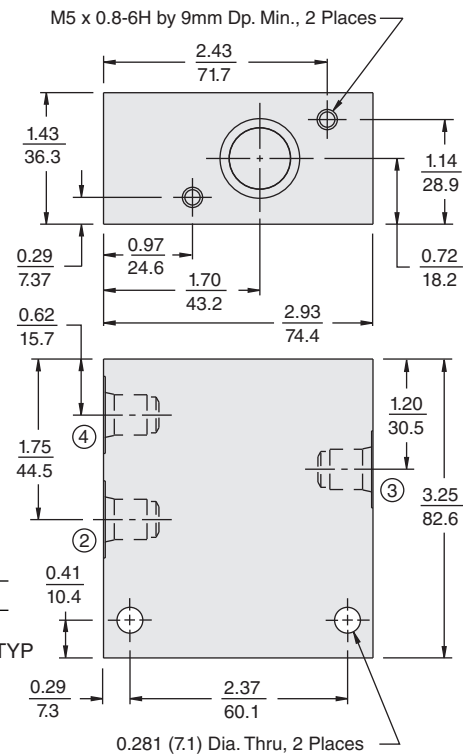
**3-WAY TS98-3x Screw-In
Aluminum**



**3-WAY SV98-T3
Aluminum**



**3-WAY TS98-T3X Drop-In
Aluminum**



SERIES 10 3-WAY TS98-3x HOUSINGS

Code	Part No.	Material	Port 1	Port 2	Port 3	Mfg. Loc.
6T	7021680	Alum.	SAE 6	SAE 6	SAE 6	U.S.
8T	7021690	Alum.	SAE 8	SAE 8	SAE 8	U.S.

SERIES 10 3-WAY SV98-T3 HOUSINGS

Code	Part No.	Material	Port 1	Port 2	Port 3	Mfg. Loc.
8T	7024030	Alum.	SAE 8	SAE 8	SAE 8	U.S.

SERIES 10 3-WAY TS98-T3x DROP-IN HOUSING

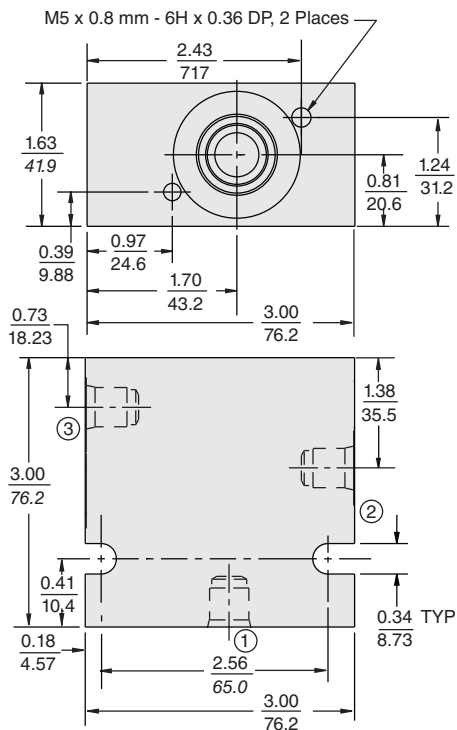
Code	Part No.	Material	Port 1	Port 2	Port 3	Mfg. Loc.
6T	7150120	Alum.	SAE 6	SAE 6	SAE 6	U.S.

HYDRAFORCE STANDARD VALVE HOUSINGS

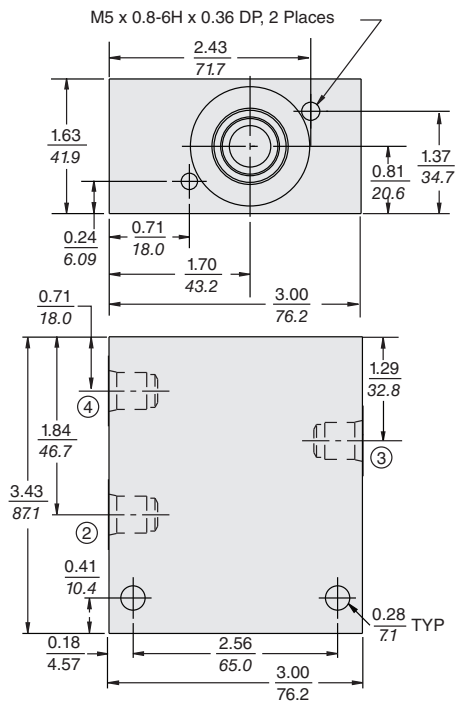
MATERIAL	OPERATING PRESSURE	PORTS	MFG. LOCATION
Aluminum	210 bar (3000 psi)	SAE	U.S.
Aluminum	210 bar (3000 psi)	BSP	U.K.
Ductile Iron	350 bar (5000 psi)	SAE	U.S.
Ductile Iron	350 bar (5000 psi)	BSP	U.K.

Series 10 Valve Housings

**3-WAY 90-G3 Drop-In
Aluminum**



**3-WAY TS90-G3 Drop-In
Aluminum**



SERIES 10 3-WAY 90-G3 DROP-IN HOUSING (VC-G024 Cavity)

Code	Part No.	Material	Port 1	Port 2	Port 3	Mfg. Loc.
8T	7160780	Alum.	SAE 8	SAE 8	SAE 8	U.S.

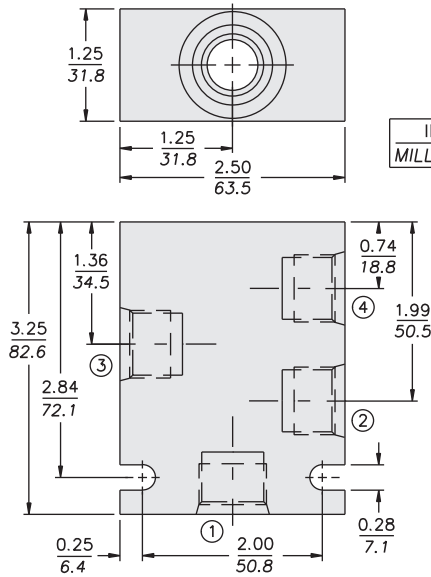
SERIES 10 3-WAY 90-G3 DROP-IN HOUSING (VC-G025 Cavity)

Code	Part No.	Material	Port 1	Port 2	Port 3	Mfg. Loc.
8T	7160920	Alum.	SAE 6	SAE 6	SAE 6	U.S.

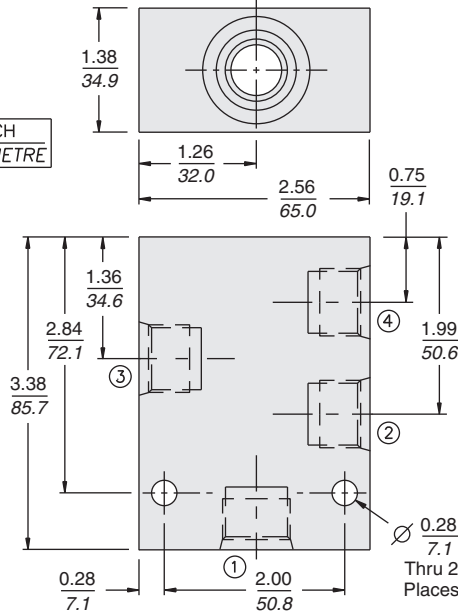
HYDRAFORCE STANDARD VALVE HOUSINGS			
MATERIAL	OPERATING PRESSURE	PORTS	MFG. LOCATION
Aluminum	210 bar (3000 psi)	SAE	U.S.
Aluminum	210 bar (3000 psi)	BSP	U.K.
Ductile Iron	350 bar (5000 psi)	SAE	U.S.
Ductile Iron	350 bar (5000 psi)	BSP	U.K.

Series 10 Valve Housings

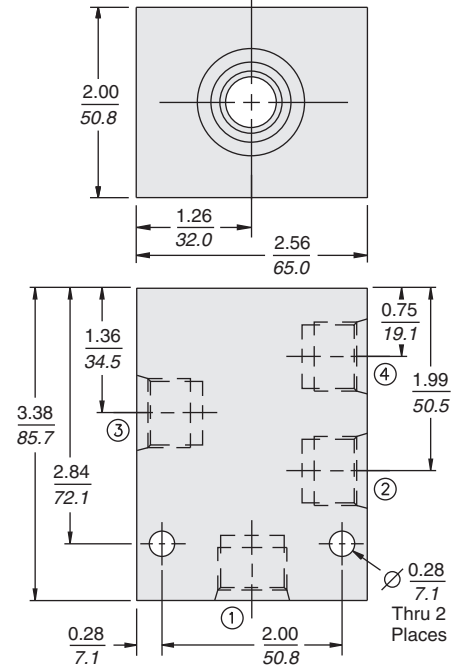
**4-WAY
Aluminum**



**4-WAY
Ductile Iron**



**4-WAY
Ductile Iron, H-Series**



INCH
MILLIMETRE

SERIES 10 4-WAY HOUSINGS

Code	Part No.	Material	Port 1	Port 2	Port 3	Port 4	Mfg. Loc.
6T	7024460	Alum.	SAE 6	SAE 6	SAE 6	SAE 6	U.S.
8T	7024480	Alum.	SAE 8	SAE 8	SAE 8	SAE 8	U.S.
3B	7028430	Alum.	3/8" BSP	3/8" BSP	3/8" BSP	3/8" BSP	U.K.
6TD	7151700	Duct. Iron	SAE 6	SAE 6	SAE 6	SAE 6	U.S.
8TD	7151710	Duct. Iron	SAE 8	SAE 8	SAE 8	SAE 8	U.S.
3BD	7151740	Duct. Iron	3/8" BSP	3/8" BSP	3/8" BSP	3/8" BSP	U.K.

SERIES 10 4-WAY H-SERIES HOUSINGS

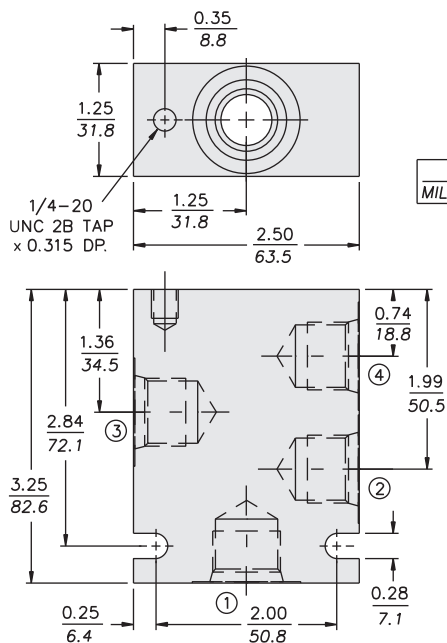
Code	Part No.	Material	Port 1	Port 2	Port 3	Port 4	Mfg. Loc.
8HT	7158310	Duct. Iron	SAE 8	SAE 8	SAE 8	SAE 8	U.S.
3HB	7158340	Duct. Iron	3/8" BSP	3/8" BSP	3/8" BSP	3/8" BSP	U.K.

HYDRAFORCE STANDARD VALVE HOUSINGS

MATERIAL	OPERATING PRESSURE	PORTS	MFG. LOCATION
Aluminum	210 bar (3000 psi)	SAE	U.S.
Aluminum	210 bar (3000 psi)	BSP	U.K.
Ductile Iron	350 bar (5000 psi)	SAE	U.S.
Ductile Iron	350 bar (5000 psi)	BSP	U.K.

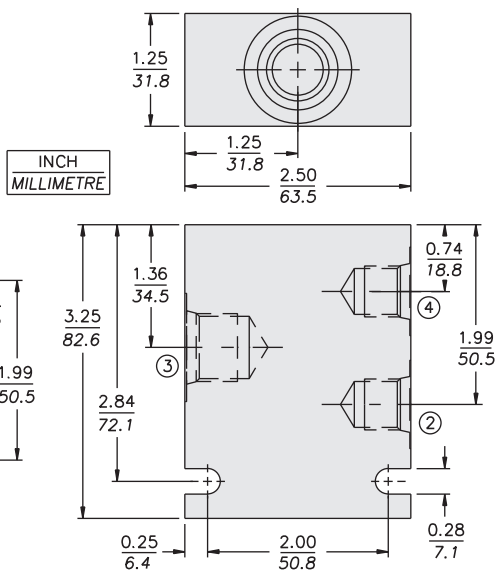
Series 10 Valve Housings

**4-WAY MR
Aluminum**



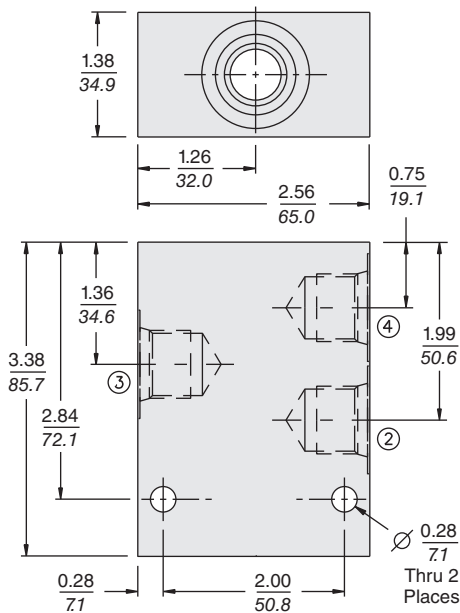
**7023380 – MR
For Lock-Down Bracket Use**

**4-WAY 3-PORT,
Special FD-Type, Aluminum**



SAE 8 Ported Housing shown

**4-WAY 3-PORT,
Special FD-Type, Ductile Iron**



SAE 8 Ported Housing shown

SERIES 10 4-WAY MR HOUSINGS							
Code	Part No.	Material	Port 1	Port 2	Port 3	Port 4	Mfg. Loc.
8TL	7023380	Alum.	SAE 8	SAE 8	SAE 8	SAE 8	U.S.

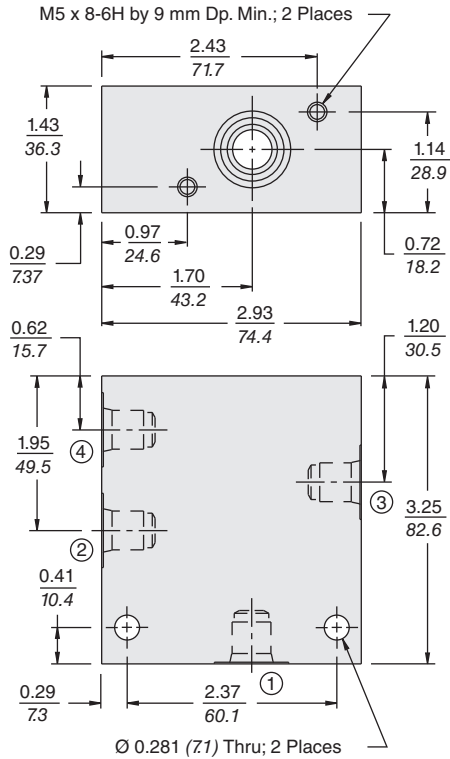
*Drilled and tapped for lock-down bracket

SERIES 10 4-WAY 3-PORTED SPECIAL FD-TYPE HOUSINGS							
Code	Part No.	Material	Port 1	Port 2	Port 3	Port 4	Mfg. Loc.
6T	7027000	Alum.	—	SAE 6	SAE 6	SAE 6	U.S.
8D	7024980	Alum.	—	SAE 6	SAE 8	SAE 6	U.S.
5B	7028540	Alum.	—	3/8" BSP	1/2" BSP	3/8" BSP	U.K.
6TD	7151900	Duct. Iron	—	SAE 6	SAE 6	SAE 6	U.S.
8TD	7151910	Duct. Iron	—	SAE 8	SAE 8	SAE 8	U.S.
8DD	7151920	Duct. Iron	—	SAE 6	SAE 8	SAE 6	U.S.
3BD	7151940	Duct. Iron	—	3/8" BSP	3/8" BSP	3/8" BSP	U.K.

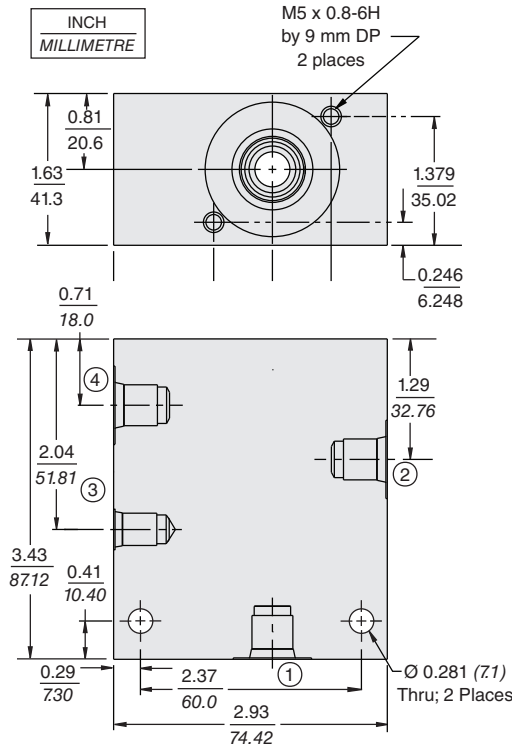
HYDRAFORCE STANDARD VALVE HOUSINGS			
MATERIAL	OPERATING PRESSURE	PORTS	MFG. LOCATION
Aluminum	210 bar (3000 psi)	SAE	U.S.
Aluminum	210 bar (3000 psi)	BSP	U.K.
Ductile Iron	350 bar (5000 psi)	SAE	U.S.
Ductile Iron	350 bar (5000 psi)	BSP	U.K.

Series 10 Valve Housings

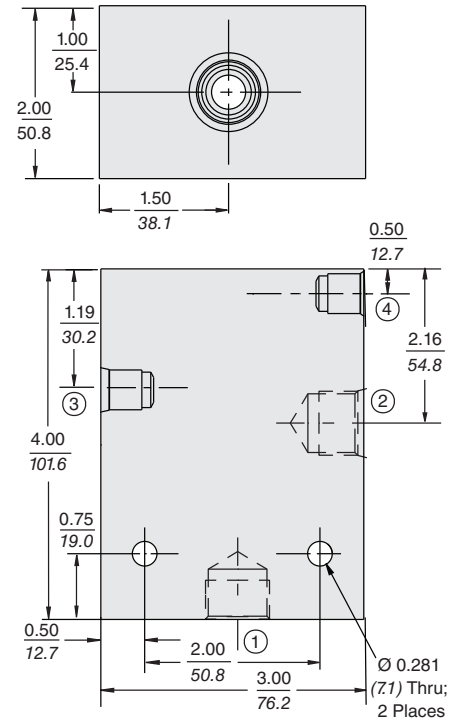
4-WAY SV98-T40 Aluminum



4-WAY SV90-G4x Aluminum



4-WAY J4 Ductile Iron



SERIES 10 4-WAY SV98-T40 HOUSINGS							
Code	Part No.	Material	Port 1	Port 2	Port 3	Port 4	Mfg. Loc.
8T	7150030	Alum.	SAE 8	SAE 8	SAE 8	SAE 8	U.S.

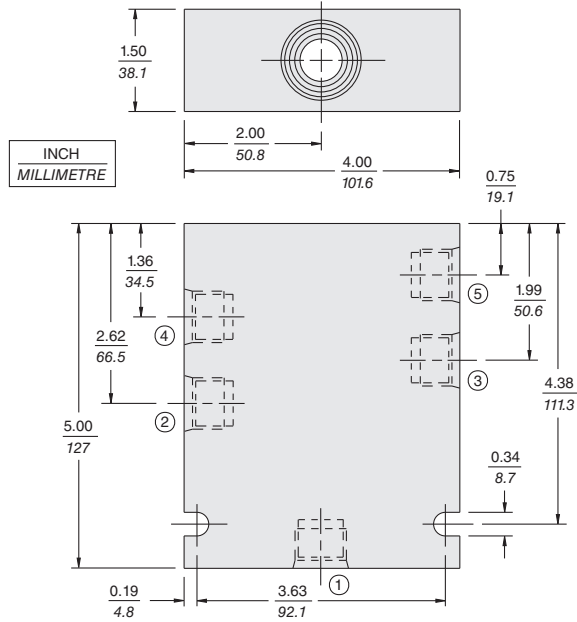
SERIES 10 4-WAY SV90-G4x HOUSINGS							
Code	Part No.	Material	Port 1	Port 2	Port 3	Port 4	Mfg. Loc.
8T	7161030	Alum.	SAE 8	SAE 8	SAE 8	SAE 8	U.S.

SERIES 10 4-WAY J4 HOUSINGS							
Code	Part No.	Material	Port 1	Port 2	Port 3	Port 4	Mfg. Loc.
8HT	7162110	Duct. Iron	SAE 8	SAE 8	SAE 6	SAE 6	U.S.

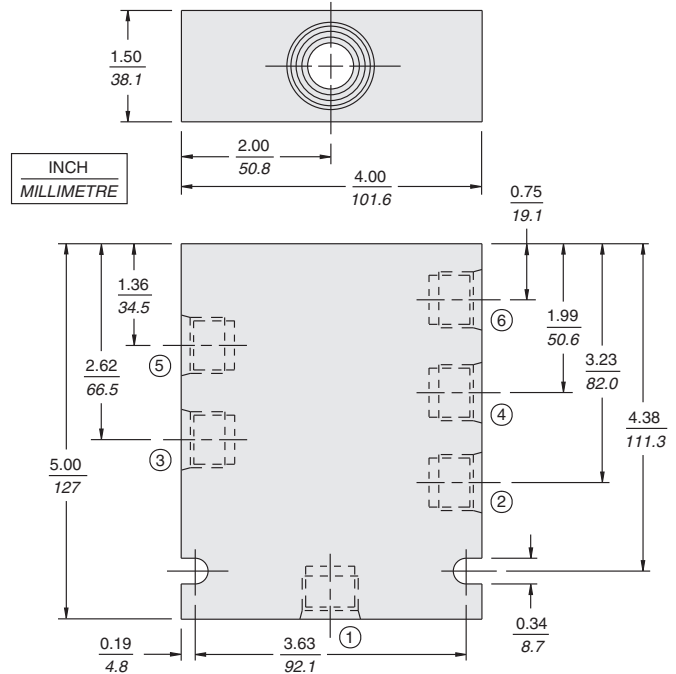
HYDRAFORCE STANDARD VALVE HOUSINGS			
MATERIAL	OPERATING PRESSURE	PORTS	MFG. LOCATION
Aluminum	210 bar (3000 psi)	SAE	U.S.
Aluminum	210 bar (3000 psi)	BSP	U.K.
Ductile Iron	350 bar (5000 psi)	SAE	U.S.
Ductile Iron	350 bar (5000 psi)	BSP	U.K.

Series 10 Valve Housings

**5-WAY
Aluminum**



**6-WAY
Aluminum**



SERIES 10 5-WAY HOUSINGS

Code	Part No.	Material	Port 1	Port 2	Port 3	Port 4	Port 5	Mfg. Loc.
6T	7022820	Alum.	SAE 6	SAE 6	SAE 6	SAE 6	SAE 6	U.S.
8T	7022830	Alum.	SAE 8	SAE 8	SAE 8	SAE 8	SAE 8	U.S.

SERIES 10 6-WAY HOUSINGS

Code	Part No.	Material	Port 1	Port 2	Port 3	Port 4	Port 5	Port 6	Mfg. Loc.
6T	4553010	Alum.	SAE 6	SAE 6	SAE 6	SAE 6	SAE 6	SAE 6	U.S.
8T	4559030	Alum.	SAE 8	SAE 8	SAE 8	SAE 8	SAE 8	SAE 8	U.S.
3B	4552990	Alum.	3/8" BSP	3/8" BSP	3/8" BSP	3/8" BSP	3/8" BSP	3/8" BSP	U.K.

HYDRAFORCE STANDARD VALVE HOUSINGS

MATERIAL	OPERATING PRESSURE	PORTS	MFG. LOCATION
Aluminum	210 bar (3000 psi)	SAE	U.S.
Aluminum	210 bar (3000 psi)	BSP	U.K.
Ductile Iron	350 bar (5000 psi)	SAE	U.S.
Ductile Iron	350 bar (5000 psi)	BSP	U.K.