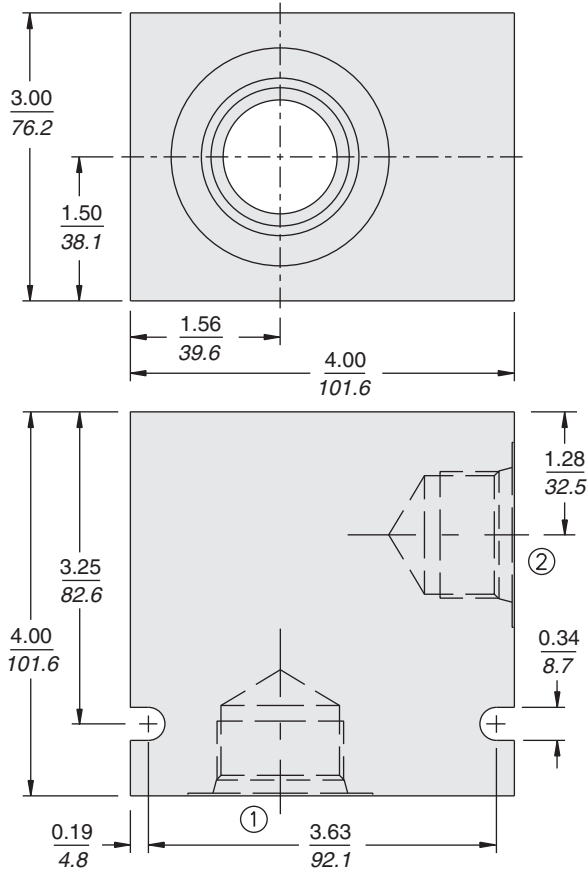


# Series 20 Valve Housings

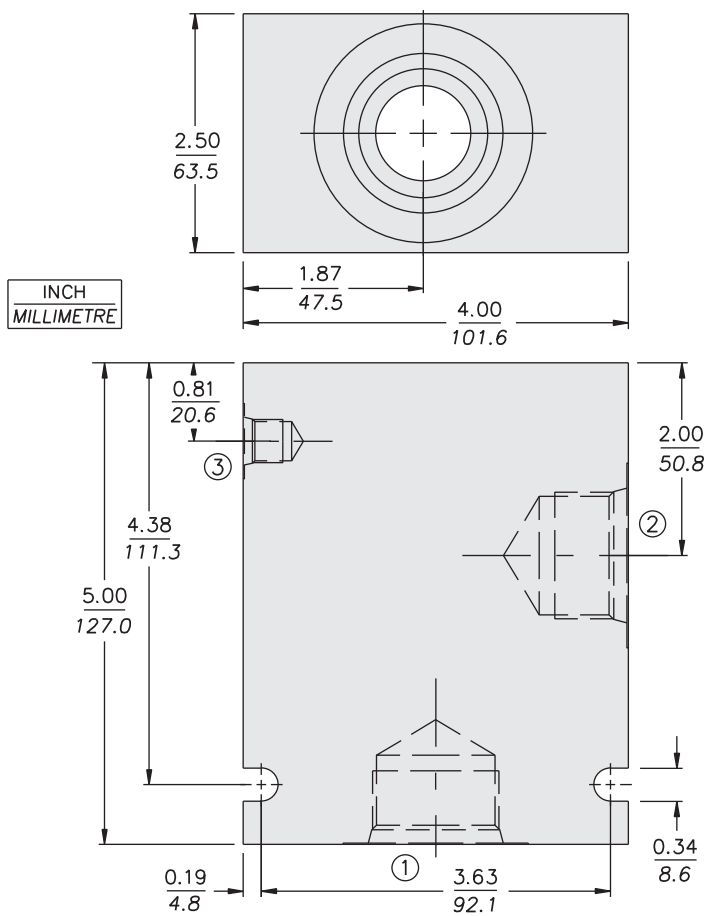
## 2-WAY

Aluminum or Ductile Iron



## 3-WAY Short

Aluminum or Ductile Iron



INCH  
MILLIMETRE

### SERIES 20 2-WAY HOUSINGS

Code	Part No.	Material	Port 1	Port 2	Mfg. Loc.
16T	4553840	Alum.	SAE 16	SAE 16	U.S.
20T	4553850	Alum.	SAE 20	SAE 20	U.S.
16TD	4553860	Duct. Iron	SAE 16	SAE 16	U.S.
20TD	4553870	Duct. Iron	SAE 20	SAE 20	U.S.

Blue Rectangles are links to CAD .stp files.

### SERIES 20 3-WAY SHORT HOUSINGS

Code	Part No.	Material	Port 1	Port 2	Port 3	Mfg. Loc.
16T	7023130	Alum.	SAE 16	SAE 16	SAE 6	U.S.
16TD	7153210	Duct. Iron	SAE 16	SAE 16	SAE 6	U.S.
10BD	7153260	Duct. Iron	1-1/4" BSP	1-1/4" BSP	3/8" BSP	U.K.

### HYDRAFORCE STANDARD VALVE HOUSINGS

MATERIAL	OPERATING PRESSURE	PORTS	MFG. LOCATION
Aluminum	210 bar (3000 psi)	SAE	U.S.
Aluminum	210 bar (3000 psi)	BSP	U.K.
Ductile Iron	350 bar (5000 psi)	SAE	U.S.
Ductile Iron	350 bar (5000 psi)	BSP	U.K.