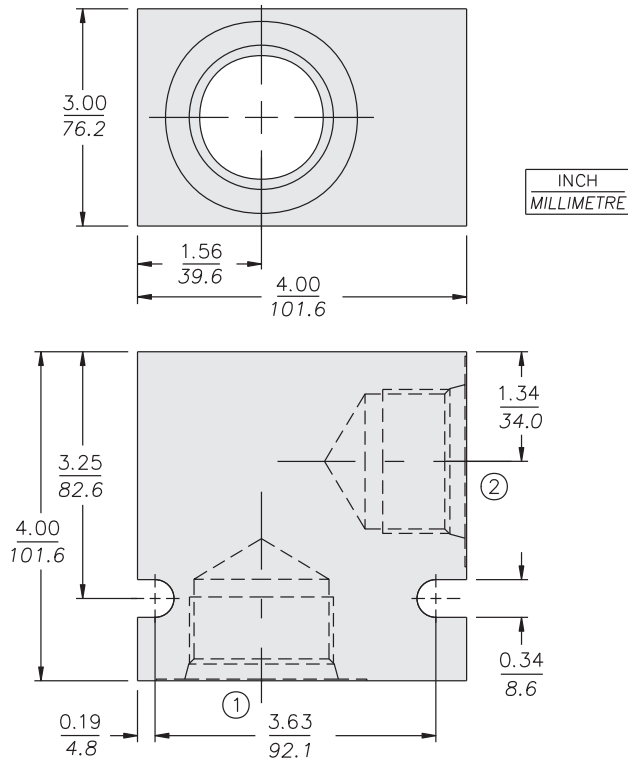
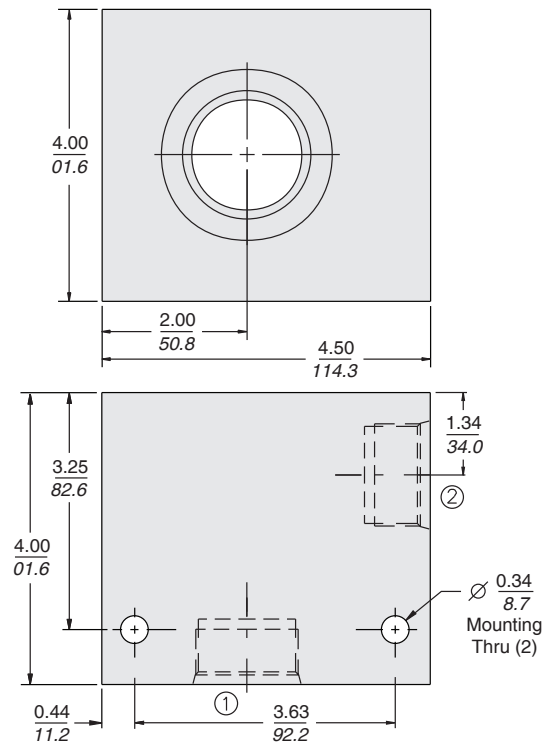


# Series 42 Valve Housings

**2-WAY M2**  
Aluminum or Ductile Iron



**2-WAY M2**  
Ductile Iron, H-Series



Blue Rectangles are links to CAD .stp files.

SERIES 42 2-WAY HOUSINGS					
Code	Part No.	Material	Port 1	Port 2	Mfg. Loc.
20T	7022580	Alum.	SAE 20	SAE 20	U.S.
20TD	7154010	Duct. Iron	SAE 20	SAE 20	U.S.
10BD	7154060	Duct. Iron	1-1/4" BSP	1-1/4" BSP	U.K.

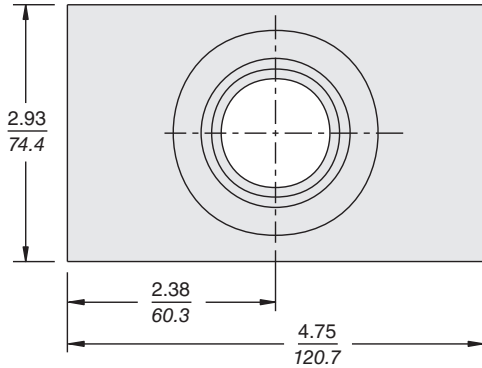
SERIES 42 2-WAY M2 H-SERIES HOUSINGS					
Code	Part No.	Material	Port 1	Port 2	Mfg. Loc.
20HT	7157310	Duct. Iron	SAE 20	SAE 20	U.S.
10HB	7157360	Duct. Iron	1-1/4" BSP	1-1/4" BSP	U.K.

HYDRAFORCE STANDARD VALVE HOUSINGS			
MATERIAL	OPERATING PRESSURE	PORTS	MFG. LOCATION
Aluminum	210 bar (3000 psi)	SAE	U.S.
Aluminum	210 bar (3000 psi)	BSP	U.K.
Ductile Iron	350 bar (5000 psi)	SAE	U.S.
Ductile Iron	350 bar (5000 psi)	BSP	U.K.

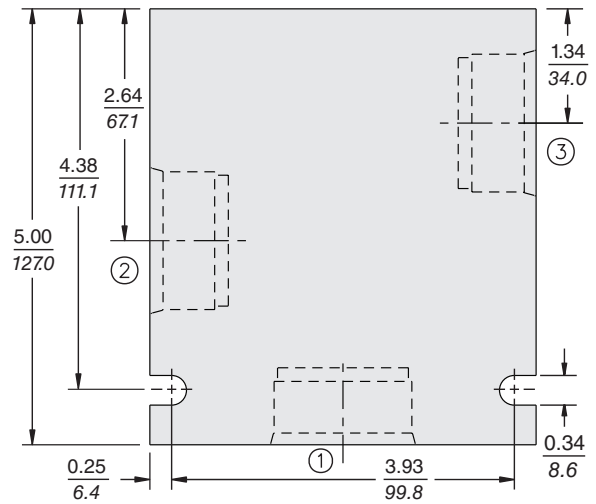
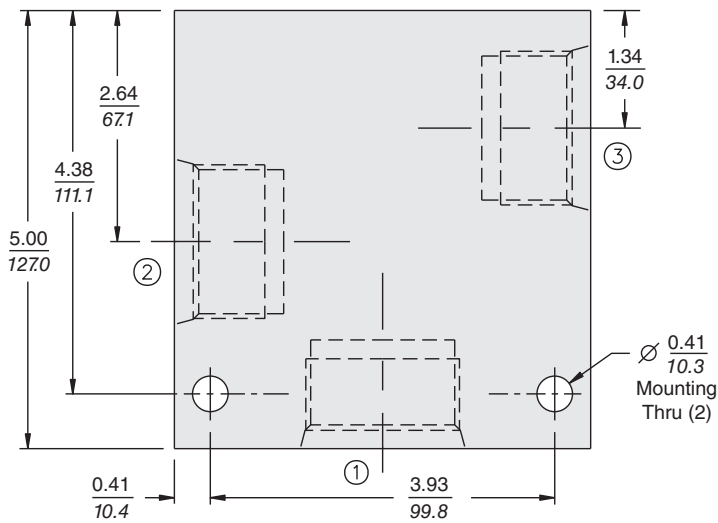
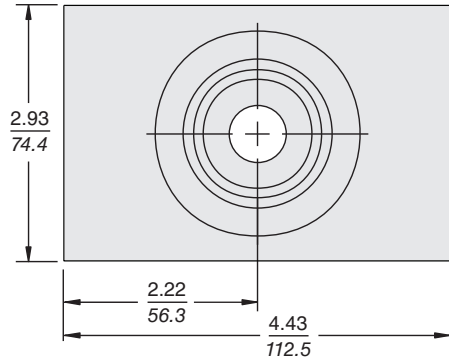
# Series 42 Valve Housings

**3-WAY M3  
Ductile Iron**

**3-WAY M3  
Aluminum**



INCH  
MILLIMETRE

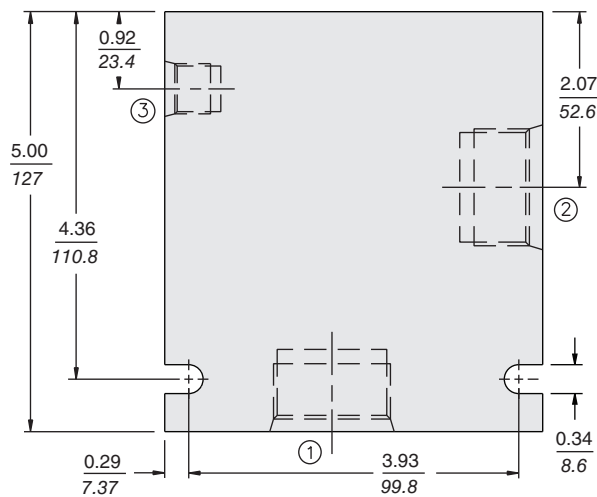
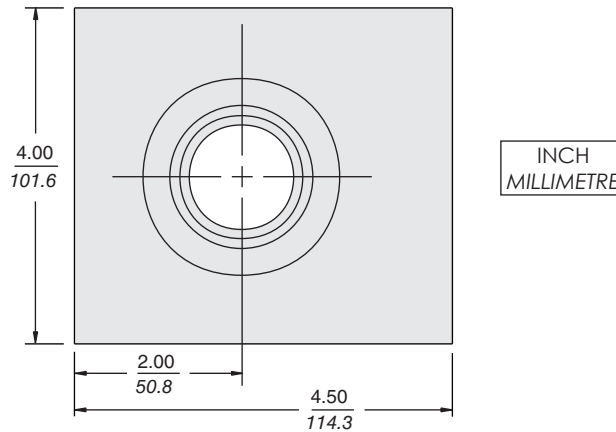


SERIES 42 3-WAY M3 HOUSINGS						
Code	Part No.	Material	Port 1	Port 2	Port 3	Mfg. Loc.
20T	7021250	Alum.	SAE 20	SAE 20	SAE 20	U.S.
20TD	7154620	Duct. Iron	SAE 20	SAE 20	SAE 20	U.S.

HYDRAFORCE STANDARD VALVE HOUSINGS			
MATERIAL	OPERATING PRESSURE	PORTS	MFG. LOCATION
Aluminum	210 bar (3000 psi)	SAE	U.S.
Aluminum	210 bar (3000 psi)	BSP	U.K.
Ductile Iron	350 bar (5000 psi)	SAE	U.S.
Ductile Iron	350 bar (5000 psi)	BSP	U.K.

# Series 42 Valve Housings

## 3-WAY S3 and S3A Ductile Iron, H-Series



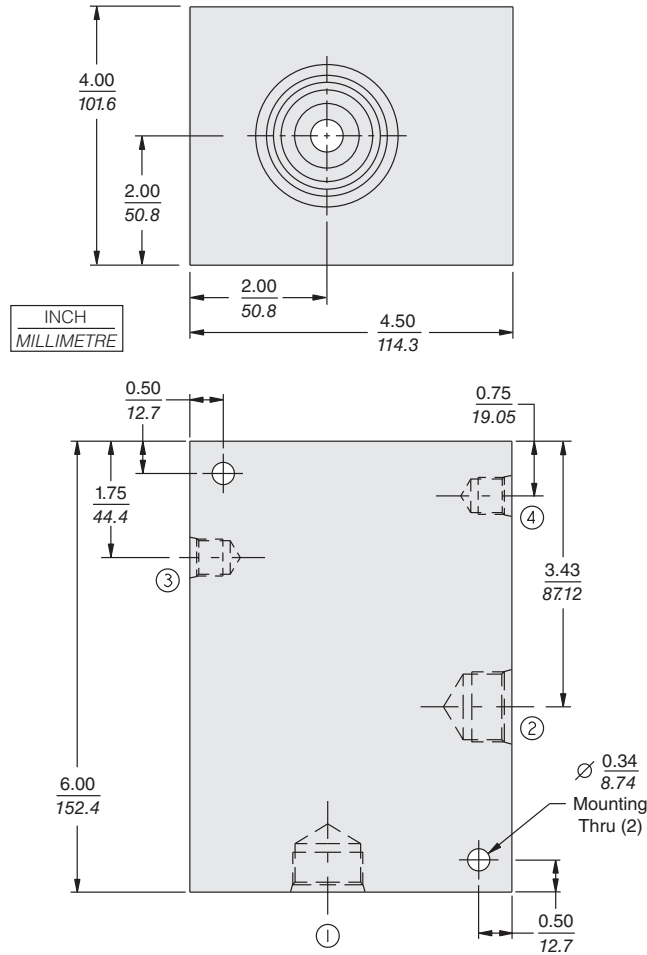
SERIES 42 3-WAY S3 H-SERIES HOUSINGS						
Code	Part No.	Material	Port 1	Port 2	Port 3	Mfg. Loc.
20HT	7157830	Duct. Iron	SAE 20	SAE 20	SAE 6	U.S.
10HB	7157860	Duct. Iron	1-1/4" BSP	1-1/4" BSP	3/8" BSP	U.K.

SERIES 42 3-WAY S3A H-SERIES HOUSINGS						
Code	Part No.	Material	Port 1	Port 2	Port 3	Mfg. Loc.
20HT	7157930	Duct. Iron	SAE 20	SAE 20	SAE 6	U.S.
10HB	7157960	Duct. Iron	1-1/4" BSP	1-1/4" BSP	3/8" BSP	U.K.

HYDRAFORCE STANDARD VALVE HOUSINGS			
MATERIAL	OPERATING PRESSURE	PORTS	MFG. LOCATION
Ductile Iron	350 bar (5000 psi)	SAE	U.S.
Ductile Iron	350 bar (5000 psi)	BSP	U.K.

# Series 42 Valve Housings

## 4-WAY J4 Ductile Iron

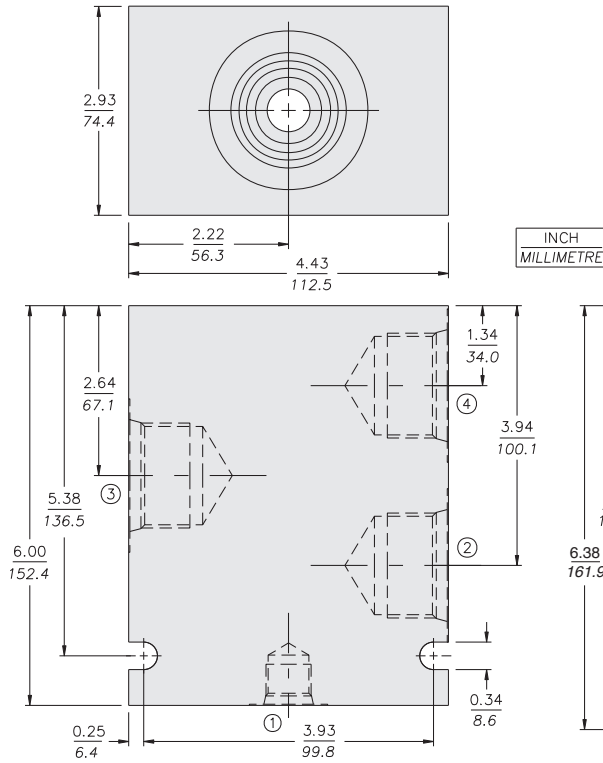


SERIES 42 4-WAY J4-TYPE HOUSINGS							
Code	Part No.	Material	Port 1	Port 2	Port 3	Port 4	Mfg. Loc.
20HT	7160870	Ducti. Iron	SAE 20	SAE 20	SAE 06	SAE 06	U.S.

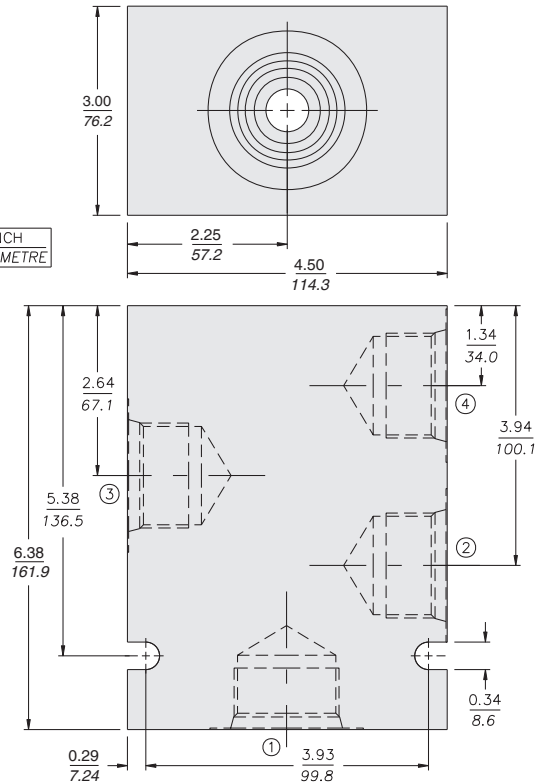
HYDRAFORCE STANDARD VALVE HOUSINGS			
MATERIAL	OPERATING PRESSURE	PORTS	MANUFACTURING LOCATION
Ductile Iron	350 bar (5000 psi)	SAE	U.S.

# Series 42 Valve Housings

**4-WAY M4 PD-Type  
Aluminum or Ductile Iron**



**4-WAY M4  
Ductile Iron**



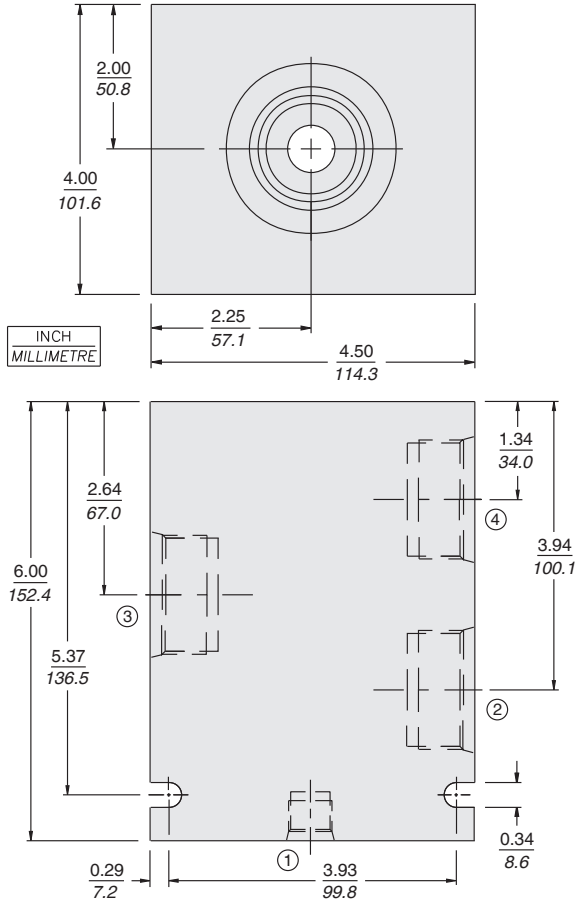
SERIES 42 4-WAY M4 PD-TYPE HOUSINGS							
Code	Part No.	Material	Port 1	Port 2	Port 3	Port 4	Mfg. Loc.
16T	7029540	Alum.	SAE 6	SAE 16	SAE 16	SAE 16	U.S.
20T	7029550	Alum.	SAE 6	SAE 20	SAE 20	SAE 20	U.S.
20TD	7154320	Duct. Iron	SAE 6	SAE 20	SAE 20	SAE 20	U.S.

SERIES 42 4-WAY M4 HOUSINGS							
Code	Part No.	Material	Port 1	Port 2	Port 3	Port 4	Mfg. Loc.
20TD	7154220	Duct. Iron	SAE 20	SAE 20	SAE 20	SAE 20	U.S.
8BD	7154250	Duct. Iron	1" BSP	1" BSP	1" BSP	1" BSP	U.K.
10BD	7154260	Duct. Iron	1-1/4" BSP	1-1/4" BSP	1-1/4" BSP	1-1/4" BSP	U.K.

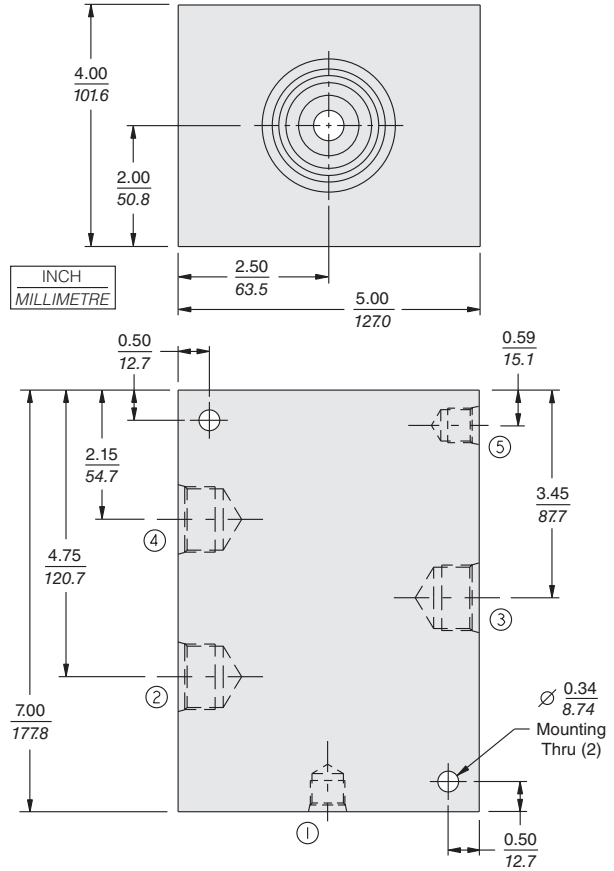
HYDRAFORCE STANDARD VALVE HOUSINGS			
MATERIAL	OPERATING PRESSURE	PORTS	MFG. LOCATION
Aluminum	210 bar (3000 psi)	SAE	U.S.
Aluminum	210 bar (3000 psi)	BSP	U.K.
Ductile Iron	350 bar (5000 psi)	SAE	U.S.
Ductile Iron	350 bar (5000 psi)	BSP	U.K.

# Series 42 Valve Housings

**4-WAY M4 HPD/HPE-Type  
Ductile Iron, H-Series**



**5-WAY S5 HPD/HPE-Type  
Ductile Iron, H-Series**



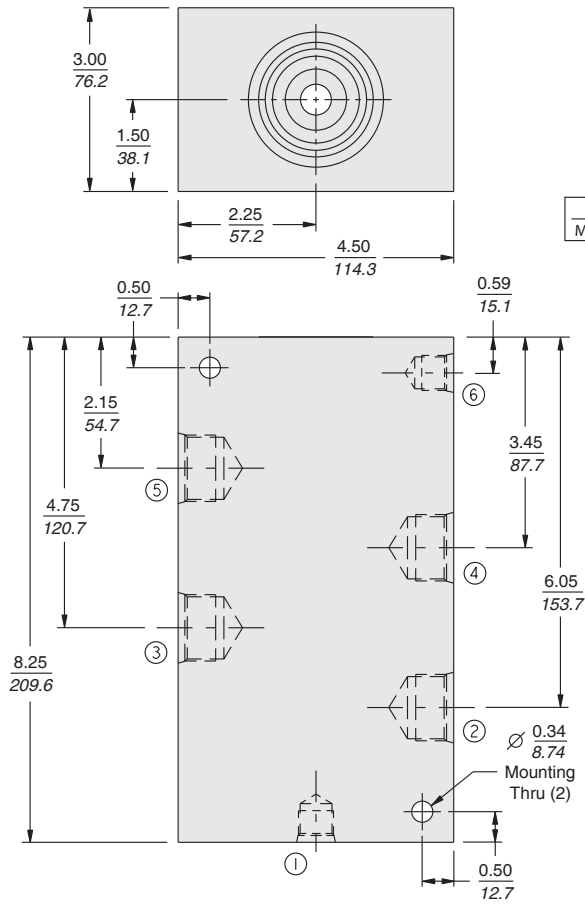
SERIES 42 4-WAY M4 HPD/HPE-TYPE H-SERIES HOUSINGS							
Code	Part No.	Material	Port 1	Port 2	Port 3	Port 4	Mfg. Loc.
20 HT	7159120	Duct. Iron	SAE 6	SAE 20	SAE 20	SAE 20	U.S.
10 HB	7159160	Duct. Iron	3/8" BSP	1-1/4" BSP	1-1/4" BSP	1-1/4" BSP	U.K.

SERIES 42 5-WAY S5 HPD/HPE-TYPE H-SERIES HOUSINGS									
Code	Part No.	Material	Port 1	Port 2	Port 3	Port 4	Port 5	Port 6	Mfg. Loc.
20HT	7159870	Duct. Iron	SAE 6	SAE 20	SAE 20	SAE 20	SAE 20	SAE 6	U.S.
10HB	7159830	Duct. Iron	1/4" BSP	1-1/4" BSP	1-1/4" BSP	1-1/4" BSP	1-1/4" BSP	1/4" BSP	U.K.

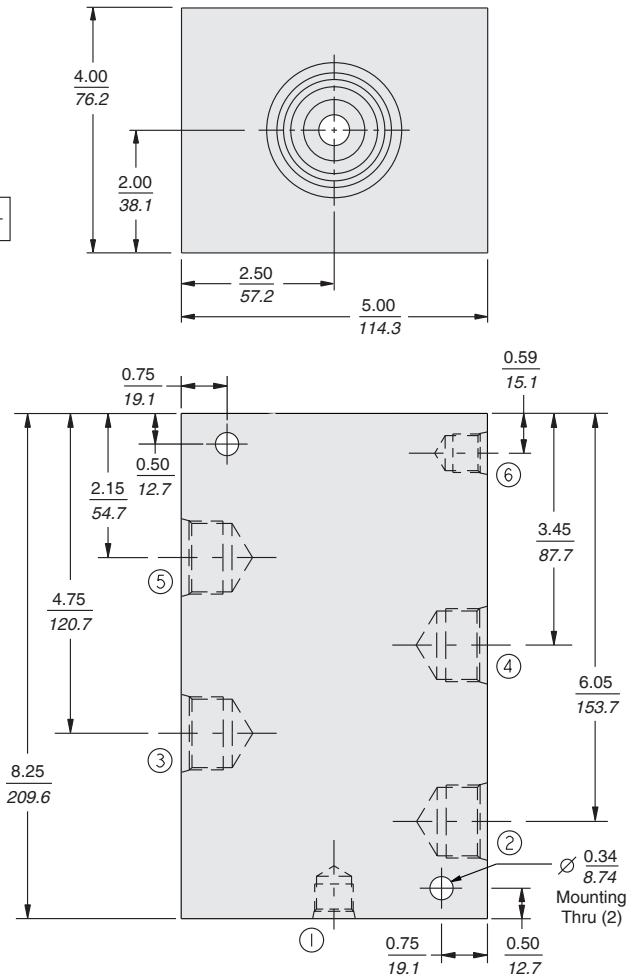
HYDRAFORCE STANDARD VALVE HOUSINGS			
MATERIAL	OPERATING PRESSURE	PORTS	MFG. LOCATION
Ductile Iron	350 bar (5000 psi)	SAE	U.S.
Ductile Iron	350 bar (5000 psi)	BSP	U.K.

# Series 42 Valve Housings

**6-WAY S6 PD/PE-Type  
Ductile Iron**



**6-WAY S6 HPD/HPE-Type  
Ductile Iron, H-Series**



**SERIES 42 6-WAY S6 PD/PE-TYPE HOUSINGS**

Code	Part No.	Material	Port 1	Port 2	Port 3	Port 4	Port 5	Port 6	Mfg. Loc.
12TD	7150450	Duct. Iron	SAE 6	SAE 12	SAE 12	SAE 12	SAE 12	SAE 6	U.S.
16TD	7150460	Duct. Iron	SAE 6	SAE 16	SAE 16	SAE 16	SAE 16	SAE 6	U.S.
20TD	7150470	Duct. Iron	SAE 6	SAE 20	SAE 20	SAE 20	SAE 20	SAE 6	U.S.
8BD	7150420	Duct. Iron	1/4" BSP	1" BSP	1" BSP	1" BSP	1" BSP	1/4" BSP	U.K.
10BD	7150430	Duct. Iron	1/4" BSP	1-1/4" BSP	1-1/4" BSP	1-1/4" BSP	1-1/4" BSP	1/4" BSP	U.K.

**SERIES 42 6-WAY S6 HPD/HPE-TYPE H-SERIES HOUSINGS**

Code	Part No.	Material	Port 1	Port 2	Port 3	Port 4	Port 5	Port 6	Mfg. Loc.
20HT	7158070	Duct. Iron	SAE 6	SAE 20	SAE 20	SAE 20	SAE 20	SAE 6	U.S.
10HB	7158030	Duct. Iron	1/4" BSP	1-1/4" BSP	1-1/4" BSP	1-1/4" BSP	1-1/4" BSP	1/4" BSP	U.K.

**HYDRAFORCE STANDARD VALVE HOUSINGS**

MATERIAL	OPERATING PRESSURE	PORTS	MFG. LOCATION
Ductile Iron	350 bar (5000 psi)	SAE	U.S.
Ductile Iron	350 bar (5000 psi)	BSP	U.K.