

HOUSINGS AND ACCESSORIES PRODUCTS

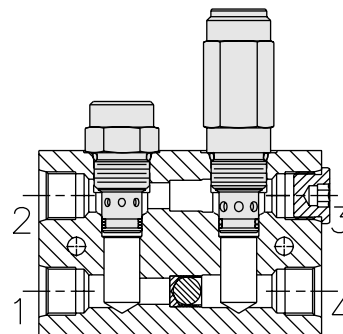
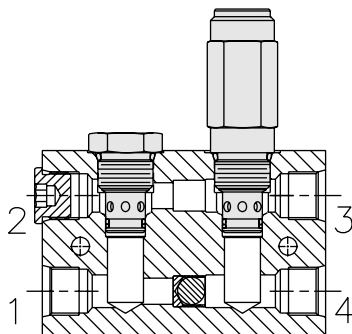
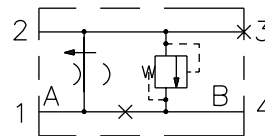
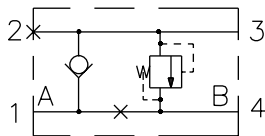
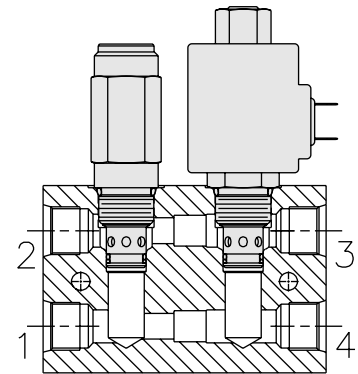
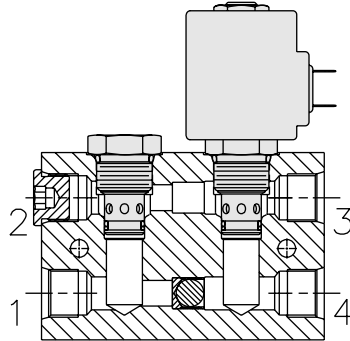
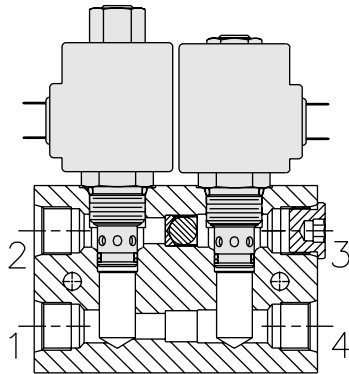
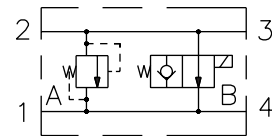
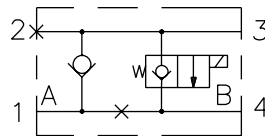
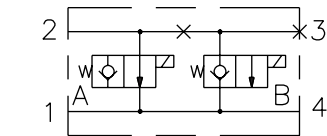
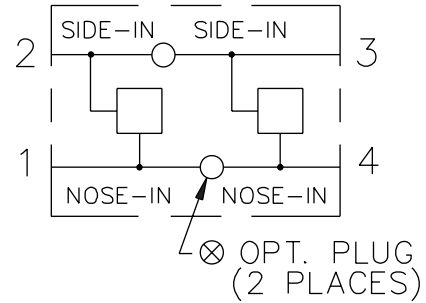
2-By-2 Bodies, Parallel-Type

DESCRIPTION

2-by-2 bodies are standardized valve bodies which have multi-functional (multiple circuit) potential. They are available in three sizes to house standard -10, -12, or -16 size two-way cartridge valves. Given the wide variety of potential cartridges, the application potential for the 2-by-2 body blocks is quite large. Dimensions for the blocks are illustrated below.

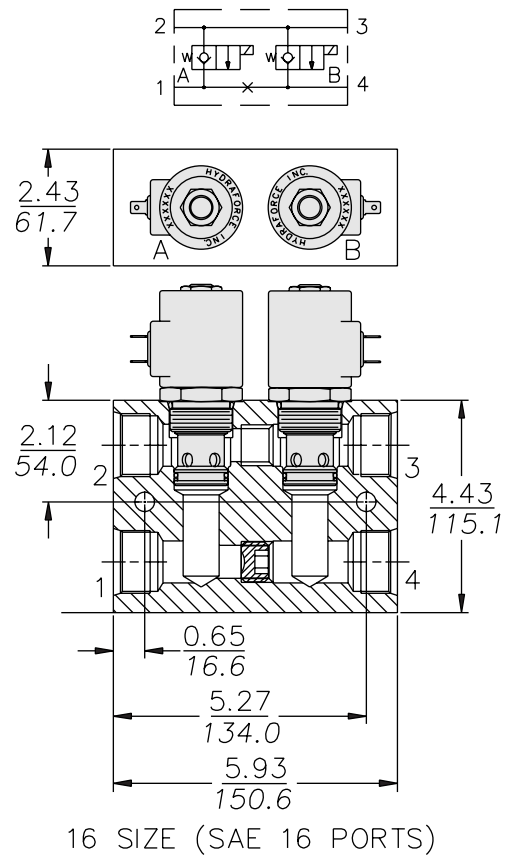
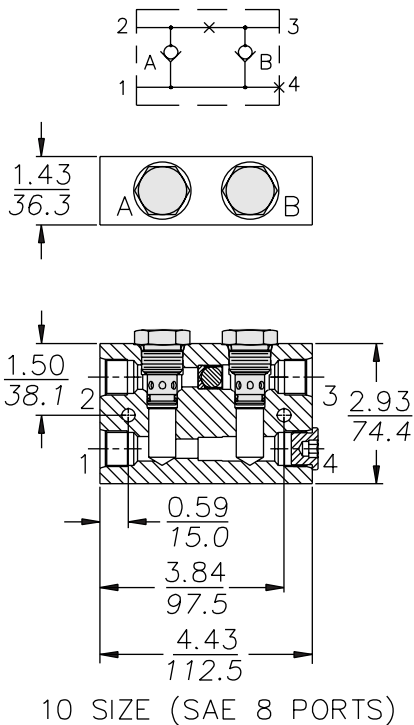
APPLICATIONS

Illustrated on these pages are a few common applications for 2-by-2 bodies.

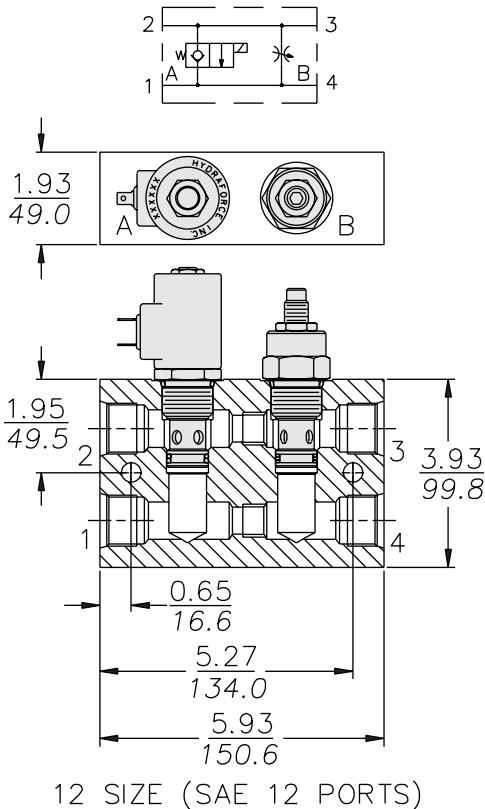


2-By-2 Bodies, Parallel-Type (cont'd)

TYPICAL DIMENSIONS



INCH
MILLIMETRE



ORDERING INFORMATION

The following 2-by-2 component parts are ordered individually.

Part Numbers				
Size	Body	Pipe Plug	Expander Plug	SAE Plug
-08 Size	7073910	—	6108090	6103006
-10 Size	7070110	—	6108120	6103008
-12 Size	7070120	6102038	—	6103012
-16 Size	7070130	6102048	—	6103016

NOTE: EUROPEAN MANUFACTURED VERSION
MAY DIFFER IN DESIGN/DIMENSIONS.
CONSULT HYDRAFORCE HYDRAULICS LTD.

HOUSINGS AND ACCESSORIES PRODUCTS

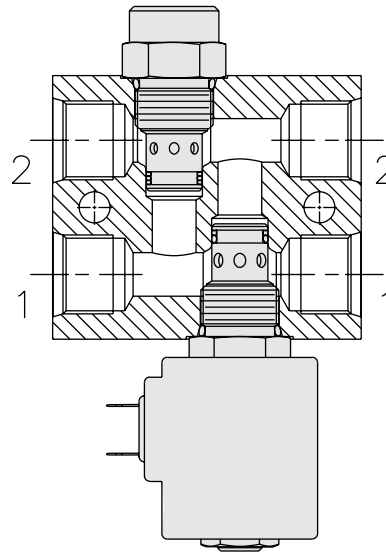
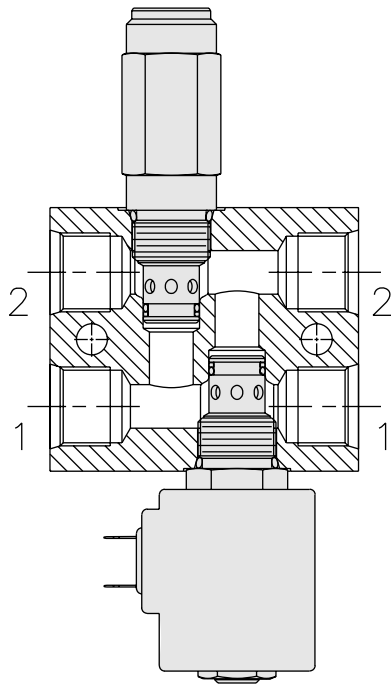
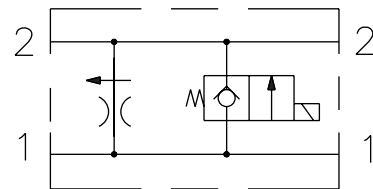
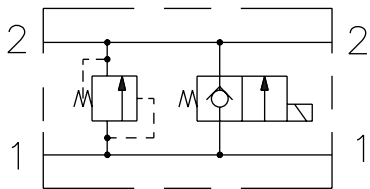
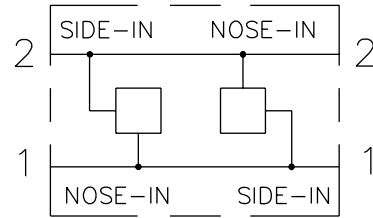
2-By-2 Bodies, Cross-Over Type

DESCRIPTION

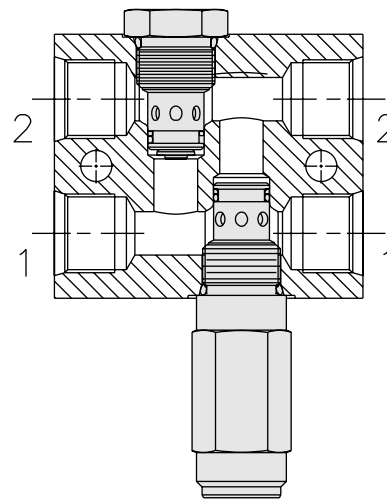
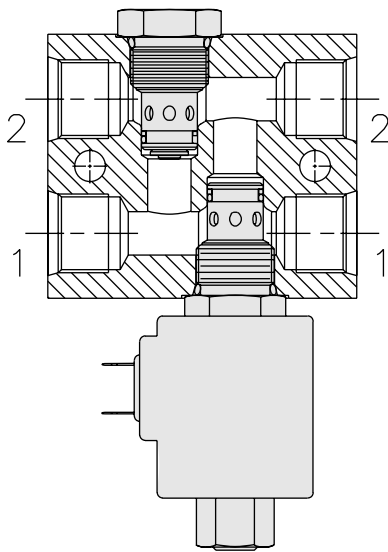
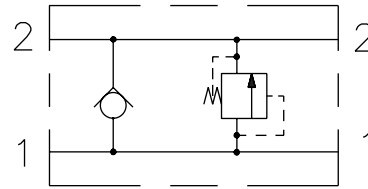
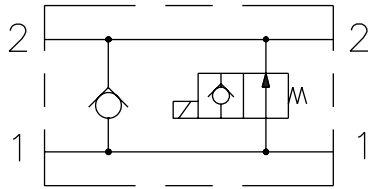
Commonly used for cross-over relief applications, these standard bodies can also be used for alternate purposes.

APPLICATIONS

Illustrated on this page are a few common applications for the cross-over type 2-by-2 bodies.



2-By-2 Bodies, Cross-Over Type (cont'd)



ORDERING INFORMATION

The following cross-over type 2-by-2 bodies are ordered individually.

Size	Part Number	Port Size
-08 Size	7070160	SAE 6
-10 Size	7070170	SAE 10

See CRV pages 6.250.1 to 6.280.2 for dimension information.