

Cavity Plugs

STANDARD CAVITY PLUGS

Standard HydraForce cavity plugs seal all access to a cavity.

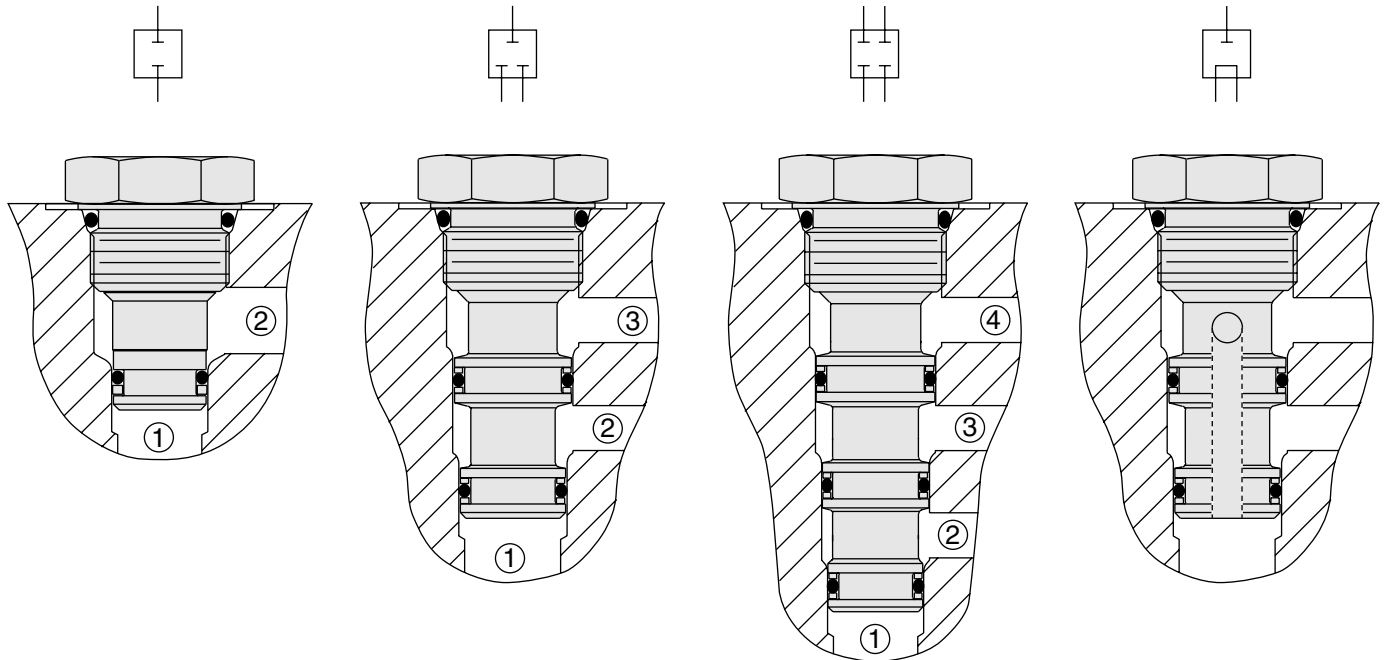
OPTIONAL PLUGS

Special-purpose plugs are available; See Ordering Table.

2-Way Cavity CPXX-20-X

3-Way Cavity CPXX-30-X

4-Way Cavity CPXX-40-X



ORDERING INFORMATION



- Cavity Type**
- Two-Way **2**
 - Three-Way **3**
 - Three-Way Short **S3**
 - Four-Way **4**
 - **Five-Way **5**
 - **Six-Way **6**
 - ** Consult factory

Design Type (X = Blocked; O = Open)

	2-Ways		3-Ways			4-Ways			
	1	2	1	2	3	1	2	3	4
0	x	x	x	x	x	x	x	x	x
A			o	o	x	o	o	o	x
B†			o	x	o	o	o	x	o
C			x	o	o	o	x	o	o
D						x	o	o	o
E						o	o	x	x
F						o	x	o	x
G						x	o	o	x
H						o	x	x	o
I						x	o	x	o
J						x	x	o	o
K	o	o							
L*						o	o	o	o

† For CP08-4B, use CP08-3B

* Open 1 to 2; Open 3 to 4