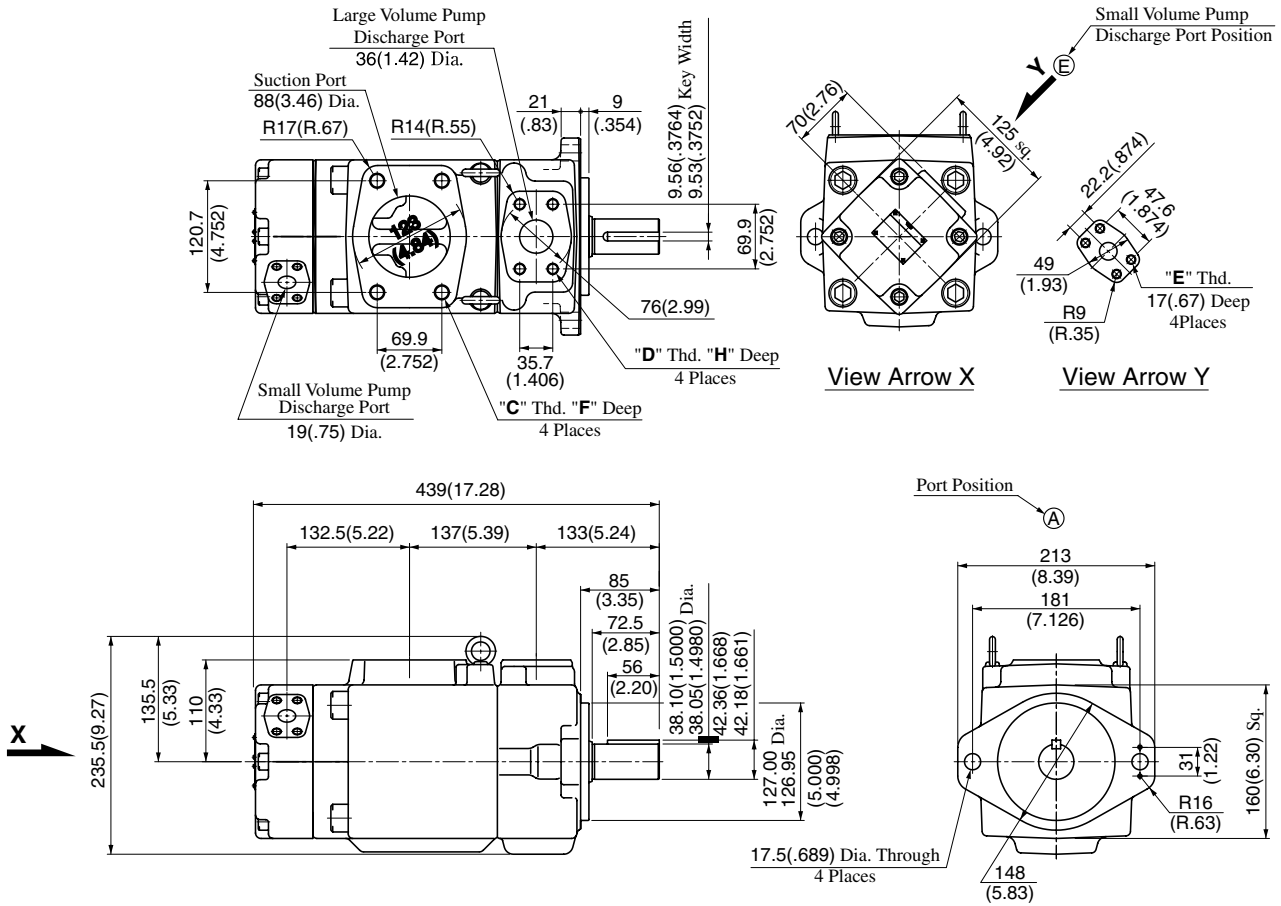
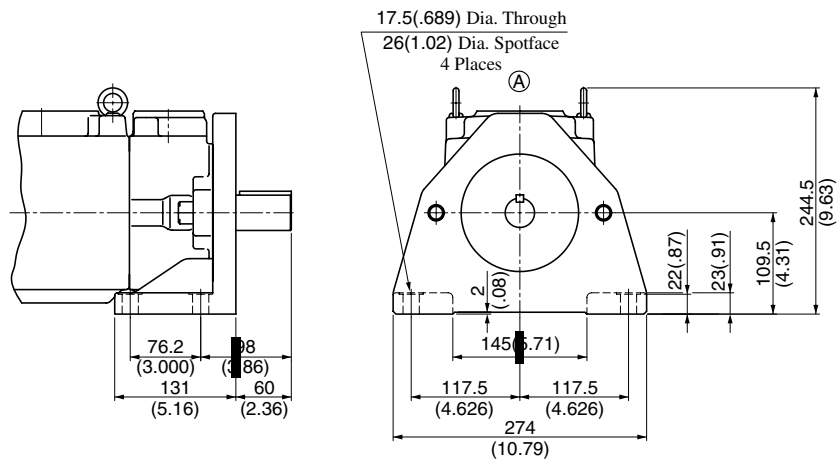


Flange Mtg.: PV2R24A-*-F-REAA-10/1090

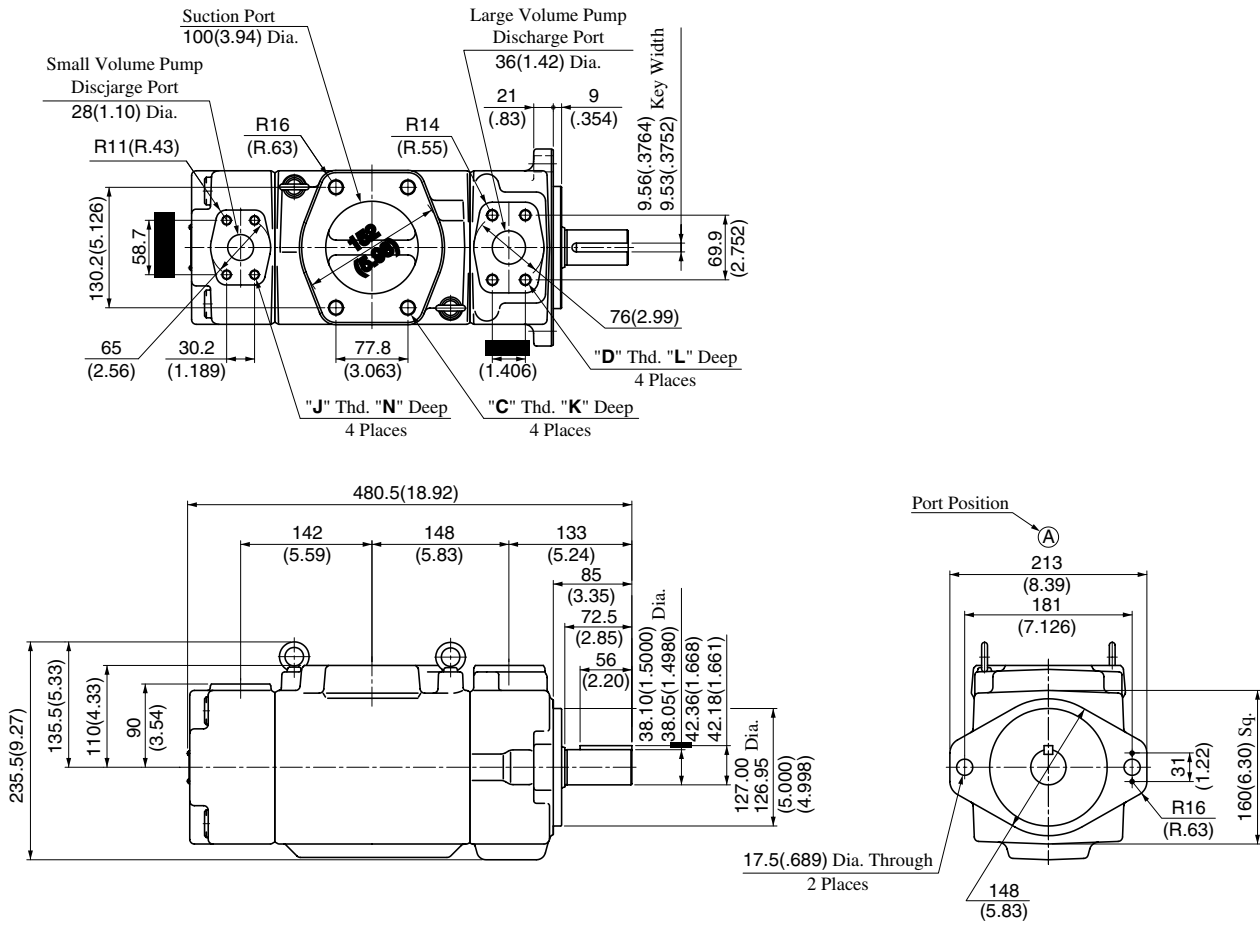


Foot Mtg.: PV2R24A-*-L-REAA-10/1090



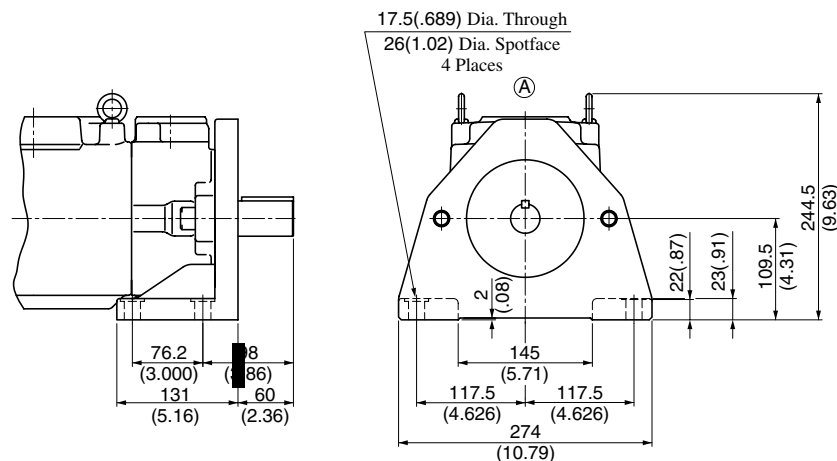
For other dimensions, refer to "Flange Mtg.".

Flange Mtg.: PV2R34A-*-F-RAAA-10/1090



Model Numbers	"C" Thd.	"D" Thd.	"J" Thd.	Dimensions mm (Inches)		
				K	L	N
PV2R34-*-F-RAAA-10	M16	M14	M10	19 (.75)	22 (.87)	19 (.75)
PV2R34-*-F-RAAA-1090	5/8-11 UNC	1/2-13 UNC	7/16-14 UNC	21 (.83)	21 (.83)	20 (.79)

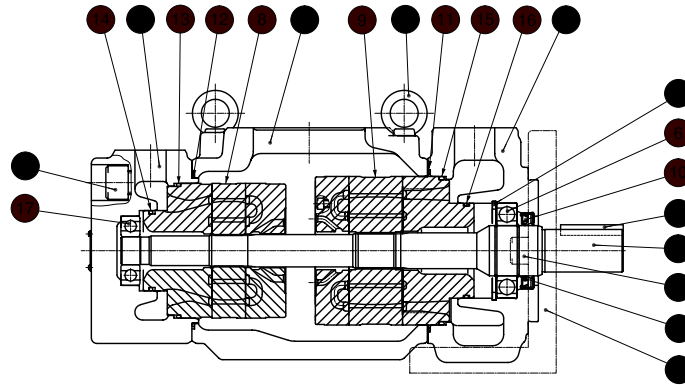
Foot Mtg.: PV2R34A-*-L-RAAA-10/1090



For other dimensions, refer to "Flange Mtg."

Spare Parts List

PV2R24A-***-REAA-10/1090
 PV2R34A-***-RAAA-10/1090



Cartridge Kits

Model Numbers	Cartridge Kit Numbers	
	⑧ Small Volume Pump	⑨ Large Volume Pump
PV2R24A-26-**-REAA-10*	CPV2R23-26-L-41	CPV2R4A-★-R-10
PV2R24A-33-**-REAA-10*	CPV2R23-33-L-41	
PV2R24A-41-**-REAA-10*	CPV2R23-41-L-41	
PV2R24A-47-**-REAA-10*	CPV2R23-47-L-41	
PV2R24A-53-**-REAA-10*	CPV2R23-53-L-41	
PV2R24A-59-**-REAA-10*	CPV2R23-59-L-41	
PV2R24A-65-**-REAA-10*	CPV2R23-65-L-41	
PV2R34A-76-**-REAA-10*	CPV2R33-76-L-31	CPV2R34A-★-R-10
PV2R34A-94-**-REAA-10*	CPV2R33-94-L-31	
PV2R34A-116-**-REAA-10*	CPV2R33-116-L-31	

Note: The ★ marks are a spaces for large volume pump nominal displacement. Referring to the model No. designation on [page 196](#), write correct nominal displacement figures.

Seals & Bearings

Item	Name of Parts	Part Numbers		Qty.
		PV2R24A	PV2R34A	
6	Bearing	6209	6209	1
10★	Oil Seal	ISD 45 68 12	ISD 45 68 12	1
11★	O-Ring	SO-NB-G140	SO-NB-G140	1
12★	O-Ring	SO-NB-G105	SO-NB-G135	1
13★	O-Ring	SO-NB-G85	SO-NB-G115	1
14★	O-Ring	SO-NB-P46	SO-NB-A231	1
15★	O-Ring	SO-NB-A250	SO-NB-A250	1
16★	O-Ring	SO-NB-G80	SO-NB-G80	1
17	Bearing	—	6305	1

List of Seal Kits

Pump Model Numbers	Seal Kit Numbers
PV2R24A-***-REAA-10*	KS-PV2R24A-10
PV2R34A-***-RAAA-10*	KS-PV2R34A-10

★ When ordering seals, please specify the seal kit number from the table above.

Note: 1) The o-rings under item. Nos. ⑬ and ⑭ are included in the large volume pump cartridge kit and those under item. Nos. ⑬ and ⑭ in the small volume pump cartridge kit.
 2) For pumps for phosphate ester type hydraulic fluids, different part Nos. are used. Please contact us.