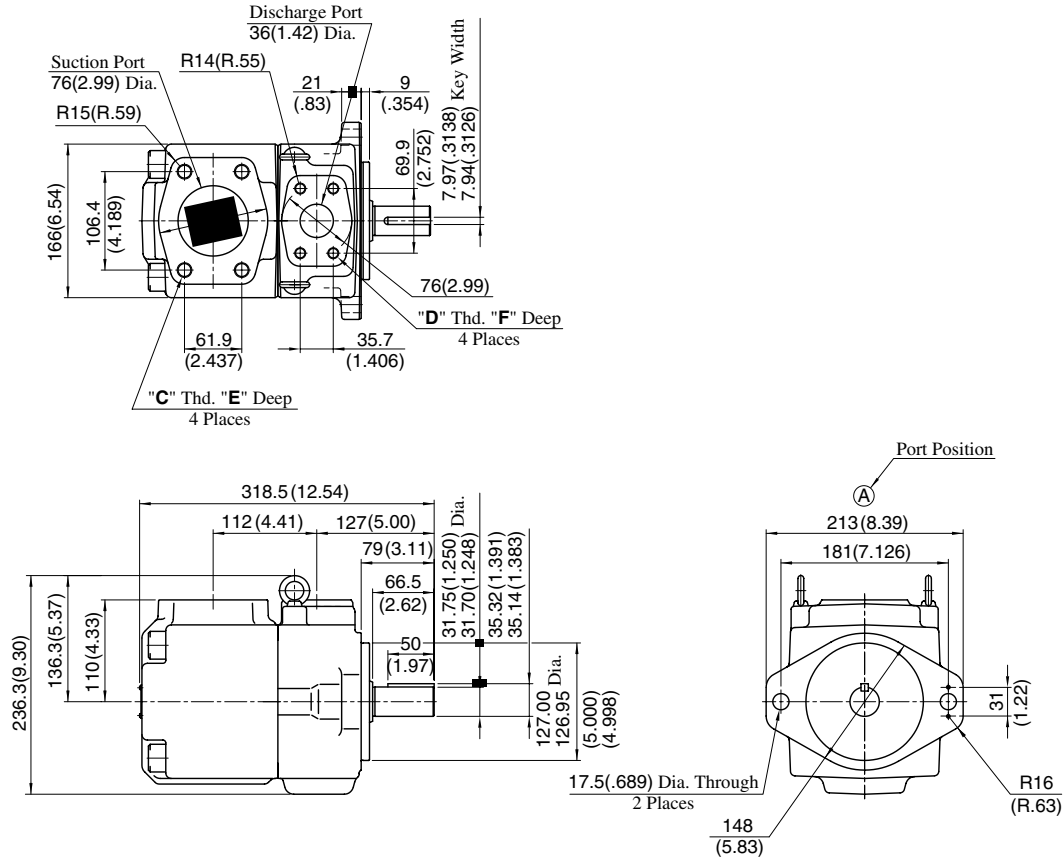


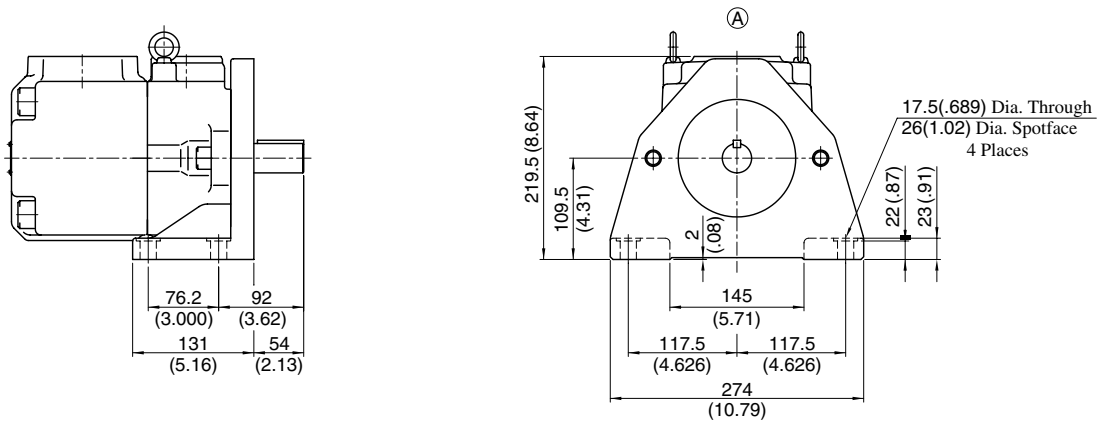
Flange Mtg.: PV2R4A-*-F-RAA-10/1090



Approx. Mass.....40 kg (88.2 lbs.)

| Model Numbers | "C" Thd. | "D" Thd. | Dimensions mm (Inches) | |
|---------------------|------------|------------|---------------------------|----------|
| | | | E | F |
| PV2R4A-*-F-RAA-10 | M16 | M12 | 29 (1.14) | 22 (.87) |
| PV2R4A-*-F-RAA-1090 | 5/8-11 UNC | 1/2-13 UNC | 21 (.83) | 21 (.83) |

Foot Mtg.: PV2R4A-*-L-RAA-10/1090



Approx. Mass.....50 kg (110 lbs.)
For other dimensions, refer to "Flange Mtg.".

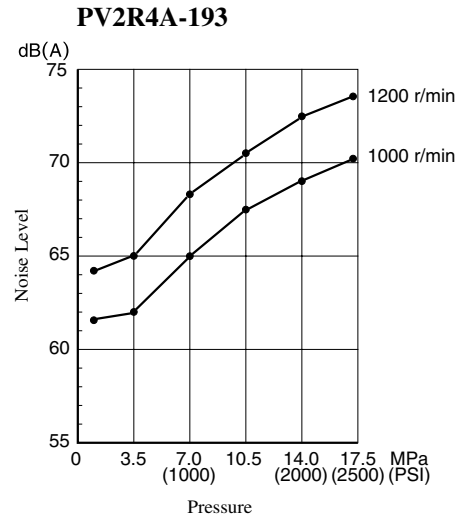
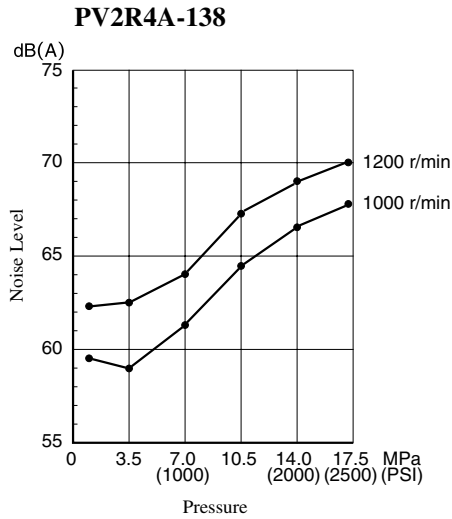
Noise Level

Measuring conditions

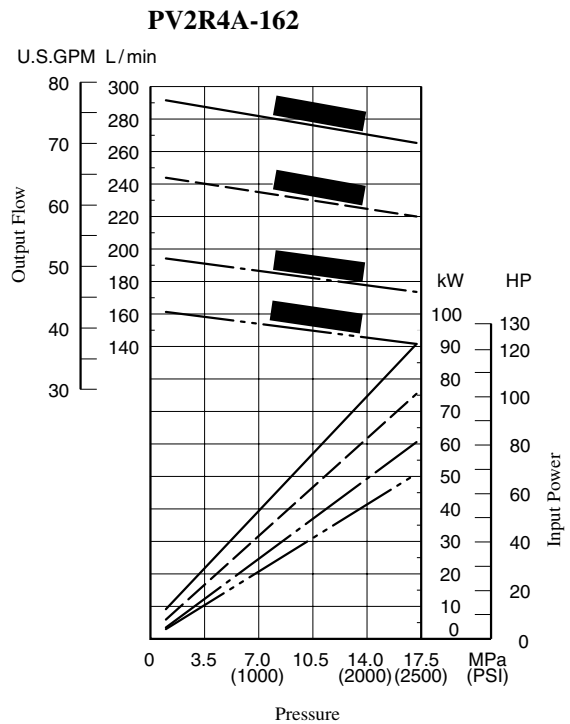
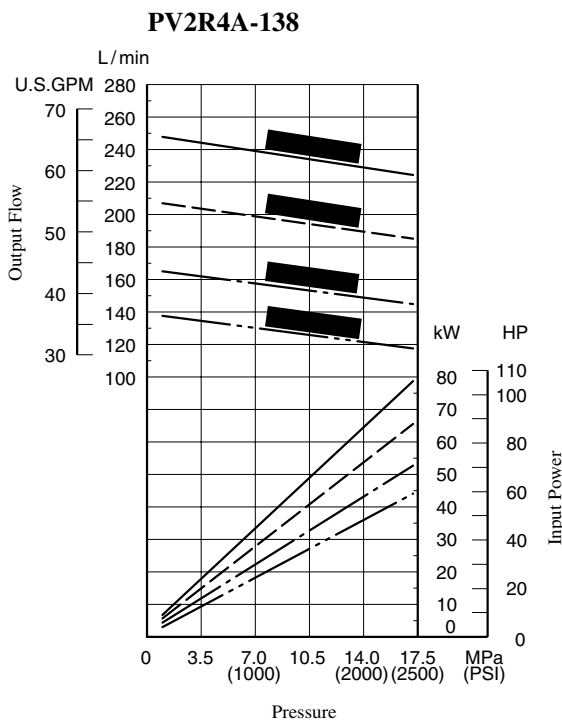
Fluid viscosity : 20 mm²/s (100 SSU)

Measurement point : One metre (3.3 ft.) horizontally away from pump head cover

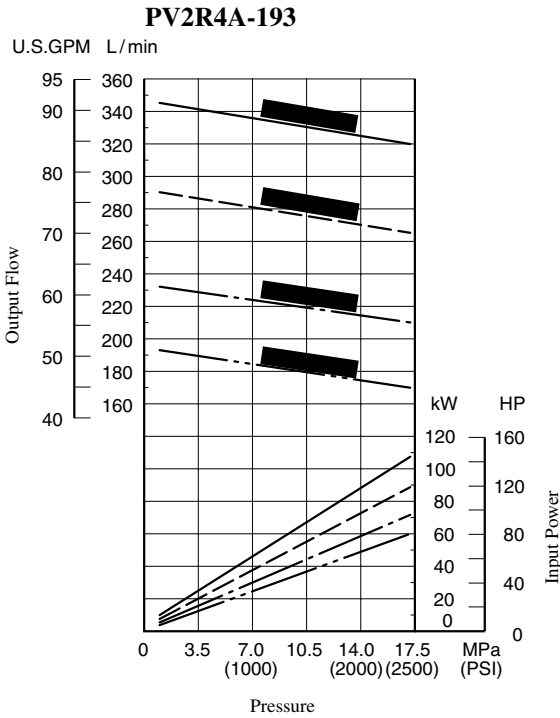
Back ground noise : 40 dB (A)



Typical Pump Characteristics at Viscosity 20 mm²/s (100 SSU) [ISO VG32 Oils, 50°C (122°F)]

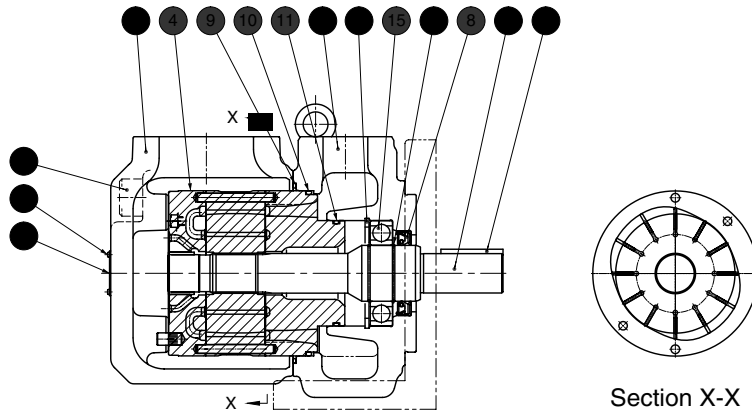


Typical Pump Characteristics at Viscosity 20 mm²/s (100 SSU) [ISO VG32 Oils, 50°C (122°F)]



Spare Parts List

PV2R4A-**-*-RAA-10/1090



Cartridge Kits

| Model Numbers | ④ Cartridge Kit Numbers |
|-----------------------|-------------------------|
| PV2R4A-138-**-RAA-10* | CPV2R4A-138-R-10 |
| PV2R4A-162-**-RAA-10* | CPV2R4A-162-R-10 |
| PV2R4A-193-**-RAA-10* | CPV2R4A-193-R-10 |

Seals & Bearings

| Item | Name of Parts | Part Numbers | Qty. |
|------|---------------|--------------|------|
| 8* | Oil Seal | ISD 45 68 12 | 1 |
| 9* | O-Ring | SO-NB-G140 | 1 |
| 10* | O-Ring | SO-NB-A250 | 1 |
| 11* | O-Ring | SO-NB-G80 | 1 |
| 15 | Bearing | 6209 | 1 |

Note: 1) Item Nos. ⑩ and ⑪ (o-rings) are included in cartridge kit.

2) For pumps for phosphate ester type hydraulic fluids different part Nos. are used. Please contact us.

When ordering seals, please specify the kit number from the table below.

List of Seal Kits

| Pump Model Numbers | Seal Kit Numbers |
|-------------------------|------------------|
| PV2R4A-**-*-RAA-10/1090 | KS-PV2R4A-10 |